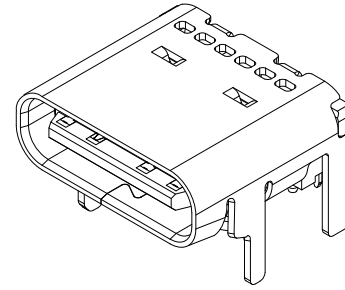
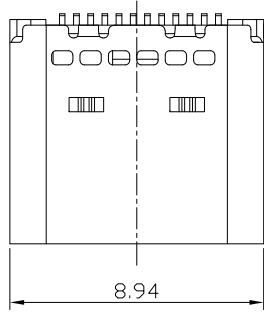




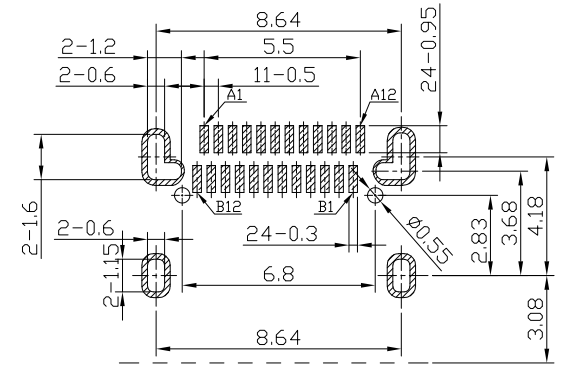
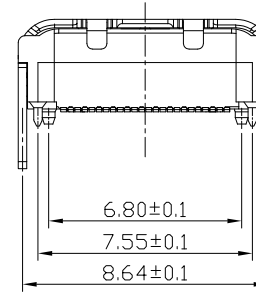
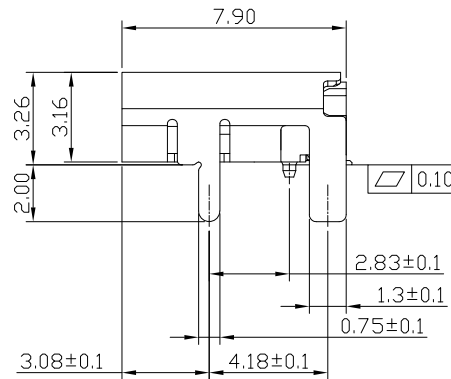
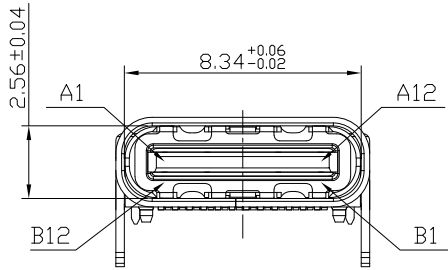
RoHS  
Compliant  
2002/95/EC

REV.	ECN.	NO.	APPD.

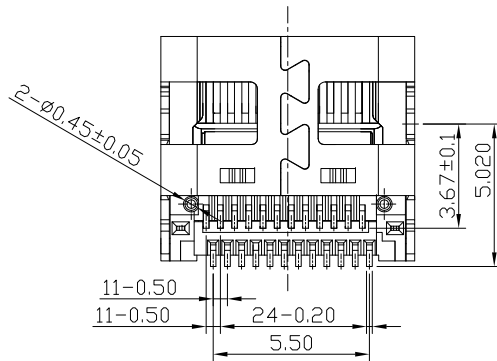


PIN ASSIGNMENTS:

PIN No.	A1	A2	A3	A4	A5	A6	A7	A8	A9	A10	A11	A12
SIGNAL NAME	GND	TX1+	TX1-	Vbus	CC1	D+	D-	SBU1	Vbus	RX2-	RX2+	GND
PIN No.	B12	B11	B10	B9	B8	B7	B6	B5	B4	B3	B2	B1
SIGNAL NAME	GND	RX1+	RX1-	Vbus	SUB2	D-	D+	CC2	Vbus	TX2-	TX2+	GND



RECOMMENDED P.C.B. LAYOUT  
TOLERANCE UNSPECIFIED ±0.05mm



NOTES:

1.ELECTRICAL:

- CURRENT RATING: 5.0A
- INSULATION RESISTANCE: 100MΩ MIN
- CONTACT RESISTANCE: LLCR:VBUS & GND PINS AND OTHER PINS: 40mΩ/PIN MAX.SHIELD: 50mΩ/MAX.
- WITHSTANDING VOLTAGE: AC 100V FOR 1 MINUTE.
- OPERATING TEMPERATURE: -25°C TO +85°C.

2.MECHANICAL:

- MATING FORCE: 5N~20N.
- UNMATING FORCE: 5N~20N.
- DURABILITY: 10,000 CYCLES

3.DIMENSIONS MARKED "▼" TO BE CHECKED BY Q.C & IPQC.

USCF-241N-4BVG62

1Au 1U\*  
2Au 3U\*  
5Au 15U\*  
6Au 30U\*

W:WHITE  
B:BLACK

1PBT  
2PA6T  
3PA9T  
4LCP

Bill of materials:

6					X.	±0.25	X.*	±5*	UNITS	mm	<p>雅安科技有限公司 ACCURATE INNOTECH INC.</p> <p>TITLE: USB TYPE CF 24P 双排SMT 有柱 外壳脚长2.0</p> <p>PART NO.: USCF-24XN-4BVG62</p> <p>DR: Ricky 2023/08/11</p> <p>CHKD: Ricky 2023/08/11</p> <p>APPD:</p> <p>SCALE: 1:1 SHEET: 1/1 REV: B CUSTOMER DRAWING</p>			
5	EMIPLATE	STAINLESS STEEL	1		.X	±0.20	.X*	±2*	MAT'L					
4	MID PLATE	STAINLESS STEEL	1	PLATED TIN	.XX	±0.15	.XX*	±1*	SEE NOTE					
3	SHELL	STAINLESS STEEL	1	PLATED NICKEL	.XXX	±0.05	.XX*	±0.5*	FINISH					
2	TERMINAL	COPPER ALLOY	24	PLATED GOLD/NICKEL					SEE NOTE					
1	HOUSING	LCP+30%GF	1	UL94V-0					Q'TY					
NO	PARTS	MATERIAL	QTY	FINISHING										

THESE DRAWINGS AND SPECIFICATIONS ARE THE PROPERTY OF ACCURATE INNOTECH INC AND SHALL NOT BE REPRODUCED, COPIED OR USED IN ANY MANNER WITHOUT THE PRIOR WRITTEN CONSENT OF ACCURATE INNOTECH INC.

