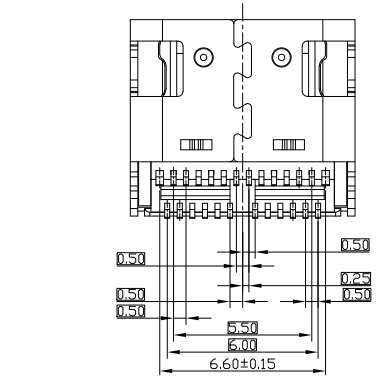
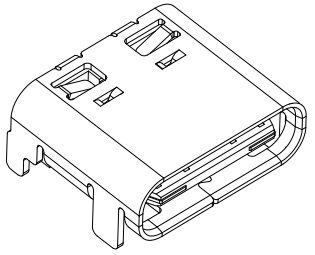
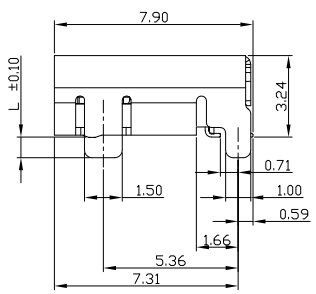
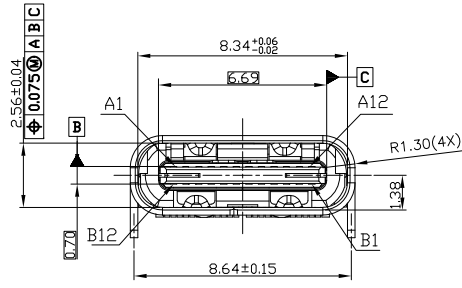
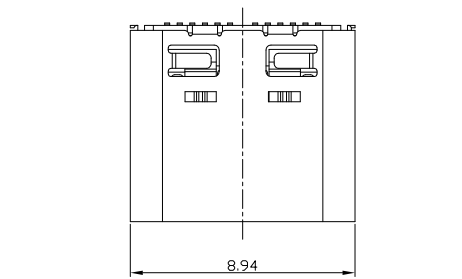


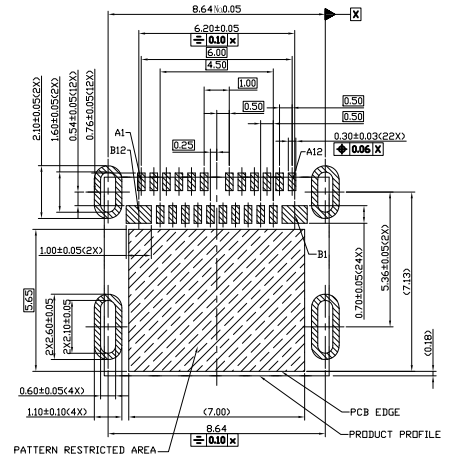


RoHS Compliant  
2002/95/EC

REV.	ECN.	NO.	APPD.



PIN ASSIGNMENT											
A1	A2	A3	A4	A5	A6	A7	A8	A9	A10	A11	A12
GND	TX1+	TX1-	VBUS	CC1	D+	D-	SBU1	VBUS	RX2-	RX2+	GND
GND	RX1+	RX1-	VBUS	SBU2	D-	D+	CC2	VBUS	TX2-	TX2+	GND
B12	B11	B10	B9	B8	B7	B6	B5	B4	B3	B2	B1



RECOMMENDED PCB LAYOUT(TOP VIEW)  
DEFAULT TOLERANCE:±0.05

- NOTES:
- ELECTRICAL:
    - VOLTAGE CURRENT RATING:
      - 5.0A FOR VBUS PINS (Pin A4,A9,B4,B9)
      - 1.25A FOR GND PINS (PIN A1,A12,B1,B12)
      - 0.25A FOR OTHER PINS 30V
    - INSULATION RESISTANCE: 100MΩ MIN.
    - CONTACT RESISTANCE:
      - LLCR:VBUS & GND PINS AND OTHER PINS: 40mΩ/PIN MAX. USCF-241N-4BVLX SHIELD:50mΩ/MAX.
      - LLCR MAX. CHANGE OF ALL PINS: 10mΩ.
    - WITHSTANDING VOLTAGE: 100V AC; FOR 1 MINUTE.
    - OPERATING TEMPERATURE:-30°C TO +85°C.
  - MECHANICAL:
    - Mating Force: 5N~20N
    - Unmating Force:
      - 8N~20N FROM 1 TO 1000 CYCLES
      - 6N~20N FROM 1001 TO 10000 CYCLES
    - Durability: 10,000 CYCLES.
  - DIMENSIONS MARKED "▼"  
TO BE CHECKED BY Q.C & IPQC.

- 4.PART NO.
- 1:Au 1U"
  - 2:Au 3U"
  - 5:Au 15U"
  - 6:Au 30U"
- W:WHITE
  - B:BLACK
  - 1:PBT
  - 2:PA6T
  - 3:PA9T
  - 4:LCP

USCF-241N-4BVL20	0.5
USCF-241N-4BVL21	0.8
USCF-241N-4BVL22	1.3
P/N :	L

Bill of materials:

NO	PARTS	MATERIAL	QTY	FINISHING
5	MIDDLE BLADE	STAINLESS STEEL	1	PLATED GOLD/NICKEL
4	FRONT SHELL	STAINLESS STEEL	1	PLATED NICKEL
3	EMI SPRING	STAINLESS STEEL	1	
2	CONTACT	COPPER ALLOY	24	PLATED GOLD/NICKEL
1	HOUSING	LCP+30%GF	1	UL94V-0

UNITS	mm	雅安科技有限公司 ACCURATE INNOTECH INC.			
X. ±0.45	X. ±5°	TITLE:	PART NO.:		
.X ±0.35	.X ±2°	DR:	USCF-241N-4BVL21		
.XX ±0.20	.XX ±1°	CHKD:	USCF-241N-4BVL22		
.XXX ±0.10	.XXX ±0.5°	APPD:	AII-VL20~2		
SEE NOTE		SCALE	SHEET	REV.	CUSTOMER
SEE NOTE		1:1	1/1	B	DRAWING

THESE DRAWINGS AND SPECIFICATIONS ARE THE PROPERTY OF ACCURATE INNOTECH INC. AND SHALL NOT BE REPRODUCED, COPIED OR USED IN ANY MANNER WITHOUT THE PRIOR WRITTEN CONSENT OF ACCURATE INNOTECH INC.

