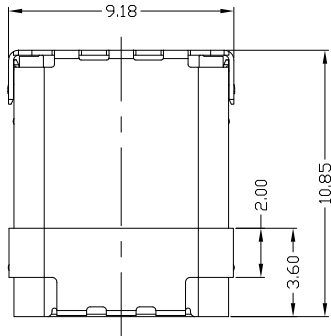


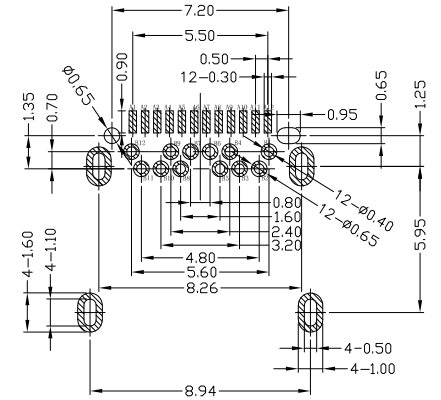
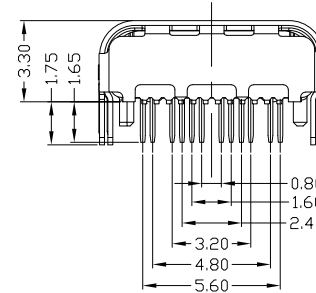
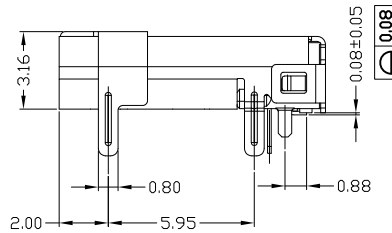
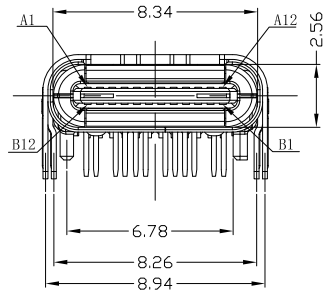
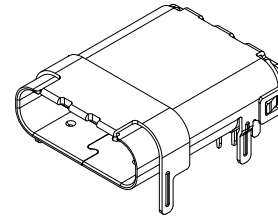


RoHS
Compliant
2002/95/EC

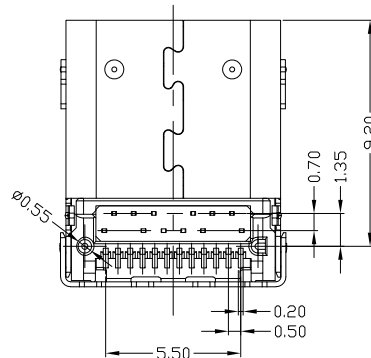
REV.	ECN.	NO.	APPD.



	A	B
1	GND	12 GND
2	TX1+	11 RX1+
3	TX1-	10 RX1-
4	VBUS	9 VBUS
5	CC1	8 SBU2
6	D+	7 D-
7	D-	6 D+
8	SBU1	5 CC2
9	VBUS	4 VBUS
10	RX2-	3 TX2-
11	RX2+	2 TX2+
12	GND	1 GND



RECOMMENDED P.C.B LAYOUT
PCB THICKNESS 1.0±0.05mm



NOTES:

- ELECTRICAL:
 - CURRENT RATING: 5A FOR VBUS PIN; 1.25A FOR VCONN PIN.
 - INSULATION RESISTANCE: 100MΩ MIN;
 - CONTACT RESISTANCE: 40mΩ Max FOR INITIAL. 10mΩ CHANGE AFTER TEST. MEASURE AT 20mV, 100mA.
 - WITHSTANDING VOLTAGE: 100V AC R.M.S.
 - OPERATING TEMPERATURE: -40°C TO +85°C.
- Mechanical:
 - MATING FORCE: 5~20 N.
 - UNMATED FORCE: 8~20N AFTER TEST
 - DURABILITY: 10,000 CYCLES
- DIMENSIONS MARKED "▼" TO BE CHECKED BY Q.C & IPQC.

4. PART NO.

USCF-24*N-4BVW05
 W: WHITE
 B: BLACK
 1: Au 1U"
 2: Au 3U"
 5: Au 15U"
 6: Au 30U"
 1: PBT
 2: PA6T
 3: PA9T
 4: LCP

Bill of materials:

NO	PARTS	MATERIAL	QTY	FINISHING	X. ±0.35	X.' ±2'	UNITS	mm	雅安科技有限公司 ACCURATE INNOTECH INC.					
5	SHRAPNEL	STAINLESS STEEL	1	PLATED NICKEL	.X ±0.3	.X' ±1'	MAT'L	SEE NOTE	TITLE: USB 3.1 C TYPE 母头 板上 L=10.8MM 排距0.70MM		PART NO.: USCF-241N-4BVW05			
4	HOOK	STAINLESS STEEL	2	PLATED NICKEL	.XX ±0.25	.XX'	FINISH	SEE NOTE	DR: gan 2017/7/30		DWG NO.: AII-VW05			
3	SHELL	STAINLESS STEEL	1	PLATED NICKEL	.XXX ±0.15	.XXX'	Q'TY	SEE NOTE	CHKD: gan 2017/7/30		SCALE	SHEET	REV.	CUSTOMER
2	TERMINAL	COPPER ALLOY	24	PLATED GOLD/TIN	THESE DRAWINGS AND SPECIFICATIONS ARE THE PROPERTY OF ACCURATE INNOTECH INC. AND SHALL NOT BE REPRODUCED, COPIED OR USED IN ANY MANNER WITHOUT THE PRIOR WRITTEN CONSENT OF ACCURATE INNOTECH INC.		APPD:	gan 2017/7/30	1:1	1/1	B	DRAWING		