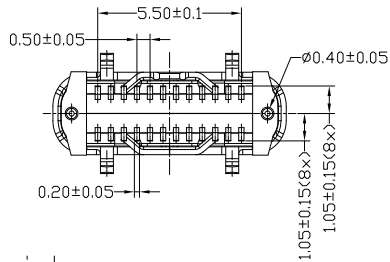
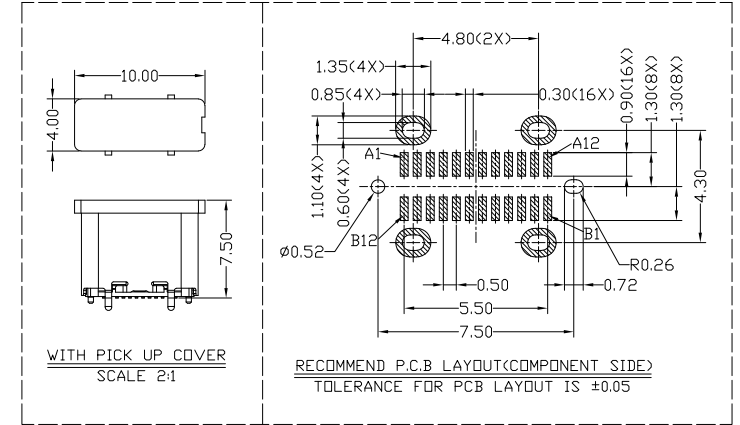
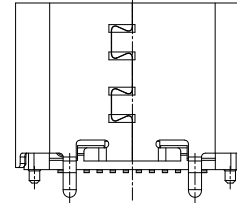
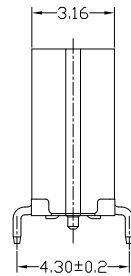
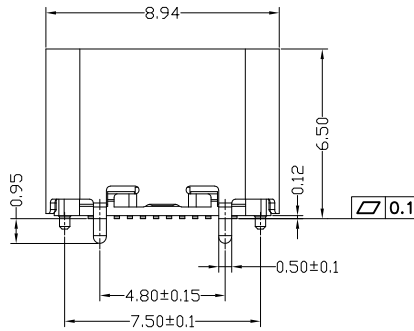
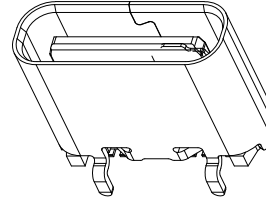
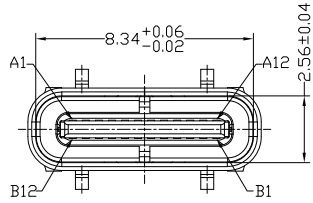




RoHS Compliant  
2002/95/EC

Halogen Free

REV.	ECN.	NO.	APPD.



USB TYPE C PIN ASSIGNMENTS

PIN NUMBER	SIGNAL NAME	PIN NUMBER	SIGNAL NAME
A1	GND	B12	GND
A2	TX1+	B11	TX1+
A3	TX1-	B10	TX1-
A4	VBUS	B9	VBUS
A5	CC1	B8	SBU2
A6	DP1	B7	DN2
A7	DN1	B6	DP2
A8	SBU1	B5	CC2
A9	VBUS	B4	VBUS
A10	RX2-	B3	TX2-
A11	RX2+	B2	TX2+
A12	GND	B1	GND

NOTES:

1.ELECTRICAL:

- 1) VOLTAGE CURRENT RATING: 5.0A, 5.0V.
- 2) INSULATION RESISTANCE: 100MΩ MIN;
- 3) CONTACT RESISTANCE:  
VBUS & GND PINS AND OTHER PINS: 40mΩ/PIN MAX.  
SHIELD: 50mΩ/MAX.  
LLCR MAX. CHANGE OF ALL PINS: 10mΩ.
- 4) WITHSTANDING VOLTAGE: 100V AC; FOR 1 MINUTE.
- 5) OPERATING TEMPERATURE: -25°C TO +85°C.

2.MECHANICAL:

- 1) MATING FORCE: 5N~20N
- 2) UNMATING FORCE: 8N~20N
- 3) DURABILITY: 10,000 CYCLES

3.DIMENSIONS MARKED "▼"

TO BE CHECKED BY Q.C & IPQC.

4.PART NO.  
USCF-242N-4BQ83

W:WHITE  
B:BLACK

1:Au 1U"  
2:Au 3U"  
5:Au 15U"  
6:Au 30U"

1:PBT  
2:PA6T  
3:PA9T  
4:LCP

Bill of materials:

NO	PARTS	MATERIAL	QTY	FINISHING	TOLERANCES	ANGLES	UNITS	雅安科技有限公司 ACCURATE INNOTECH INC.				
6	COVER	LCP+30%GF	1	UL94V-0	.X ±0.30	.X ±5°	mm	TITLE: USB TYPE CF 24P 立式 双贴 H=6.5 PART NO.: USCF-24XN-4BQ83 DR: Ricky 2022/06/17 DWG NO.: AII-Q83 CHKD: Ricky 2022/06/17 SCALE SHEET REV. CUSTOMER 1:1 1/1 B DRAWING				
5	HOUSING	LCP+30%GF	1	UL94V-0	.XX ±0.20	.XX ±2°	MAT'L					
4	EMI	STAINLESS STEEL	1	PLATED NICKEL	.XXX ±0.10		SEE NOTE					
3	MID PLATE	STAINLESS STEEL	1	PLATED NICKEL			SEE NOTE					
2	CONTACT	COPPER ALLOY	24	PLATED GOLD/TIN	THESE DRAWINGS AND SPECIFICATIONS ARE THE PROPERTY OF ACCURATE INNOTECH INC AND SHALL NOT BE REPRODUCED, COPIED OR USED IN ANY MANNER WITHOUT THE PRIOR WRITTEN CONSENT OF ACCURATE INNOTECH INC.			FINISH				
1	SHELL	STAINLESS STEEL	1	PLATED NICKEL				Q'TY				