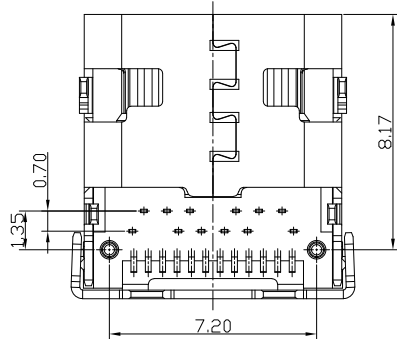
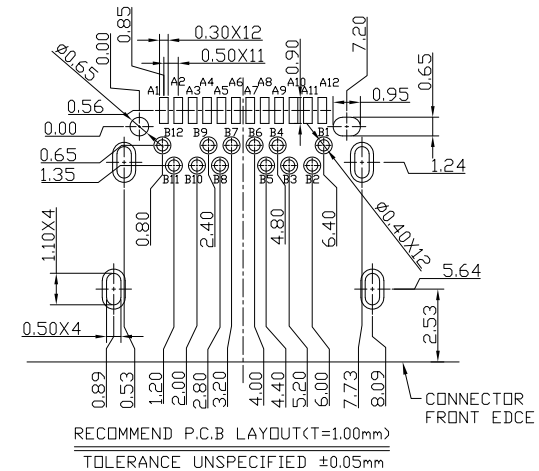
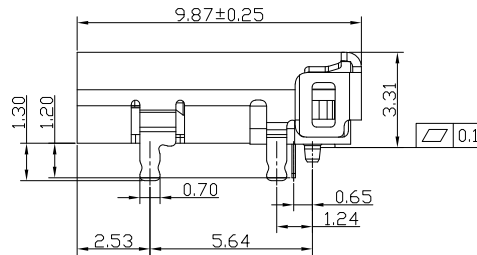
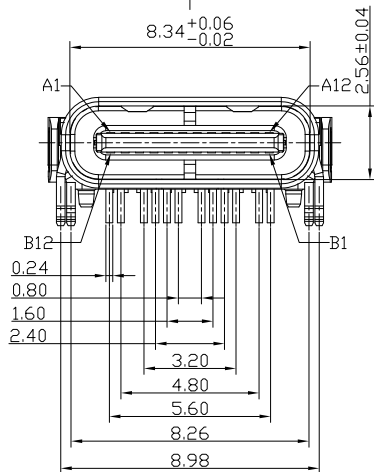
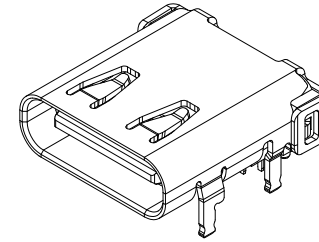
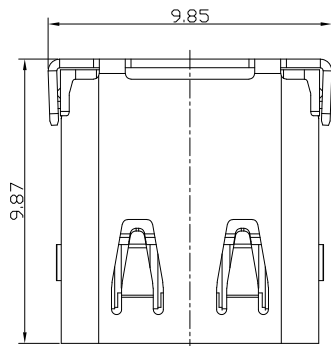




RoHS  
Compliant  
2002/95/EC

Halogen Free

REV.	ECN.	NO.	APPD.



USB TYPE C PIN ASSIGNMENTS

PIN NUMBER	SIGNAL NAME	PIN NUMBER	SIGNAL NAME
A1	GND	B12	GND
A2	TX1+	B11	TX1+
A3	TX1-	B10	TX1-
A4	VBUS	B9	VBUS
A5	CC1	B8	SBU2
A6	DP1	B7	DN2
A7	DN1	B6	DP2
A8	SBU1	B5	CC2
A9	VBUS	B4	VBUS
A10	RX2-	B3	TX2-
A11	RX2+	B2	TX2+
A12	GND	B1	GND

NOTES:

- ELECTRICAL:
  - VOLTAGE CURRENT RATING: 5.0A, 5.0V DC;
  - INSULATION RESISTANCE: 100MΩ MIN;
  - CONTACT RESISTANCE: VBUS & GND PINS AND OTHER PINS: 40mΩ/PIN MAX; SHIELD: 50mΩ/MAX LCCR MAX. CHANGE OF ALL PINS: 10Ωm
  - WITHSTANDING VOLTAGE: 100V AC; FOR 1 MINUTE.
  - OPERATING TEMPERATURE: -25°C TO +85°C.
- Mechanical:
  - Mating Force: 0.5~2.0kgf
  - Unmating Force: 0.8~2.0kgf
  - Durability: 10,000 cycles
- DIMENSIONS MARKED "▼" TO BE CHECKED BY Q.C & IPQC.

4.PART NO.

USCF-242N-4BV81  
 W/WHITE  
 B/BLACK  
 1Au 1U'  
 2Au 3U'  
 5Au 15U'  
 6Au 30U'  
 1PBT  
 2PA6T  
 3PA9T  
 4LCP

6					X.X ±0.30	X.* ±5*	UNITS	mm
5	HOUSING	LCP+30%GF	1	UL94V-0	.XX ±0.20	.X.* ±2*	MAT'L	
4	EMI	STAINLESS STEEL	1	PLATED NICKEL	.XXX ±0.10		SEE NOTE	
3	MID PLATE	STAINLESS STEEL	1				FINISH	
2	CONTACT	COPPER ALLOY	24	PLATED GOLD/TIN			SEE NOTE	
1	SHELL	STAINLESS STEEL	1	PLATED NICKEL			Q'TY	
NO	PARTS	MATERIAL	QTY	FINISHING				

THESE DRAWINGS AND SPECIFICATIONS ARE THE PROPERTY OF ACCURATE INNOTECH INC AND SHALL NOT BE REPRODUCED, COPIED OR USED IN ANY MANNER WITHOUT THE PRIOR WRITTEN CONSENT OF ACCURATE INNOTECH INC

<b>雅安科技有限公司</b> <b>ACCURATE INNOTECH INC.</b>			
TITLE:		PART NO.:	
USB TYPE CF 24P DIP +SMT CONN 脚长1.30		USCF-24XN-4BV81	
DR:		DWG NO.:	
Ricky 2021/06/22		AII-V81	
CHKD:		SCALE	
Ricky 2021/06/22		1:1	
APPD:		SHEET	
		1/1	
		REV.	
		B	
		CUSTOMER DRAWING	