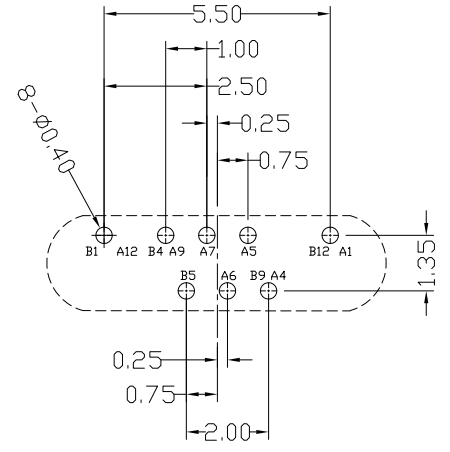
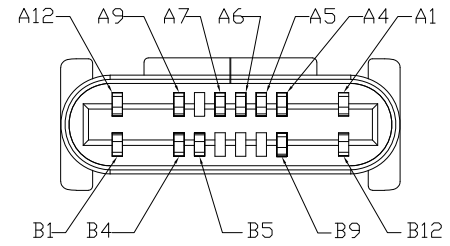
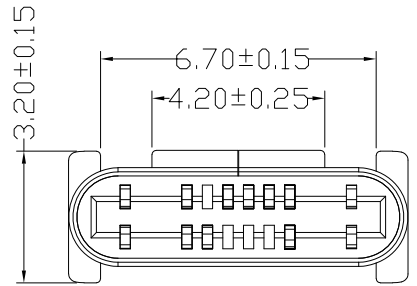


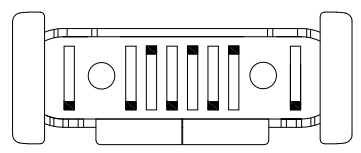
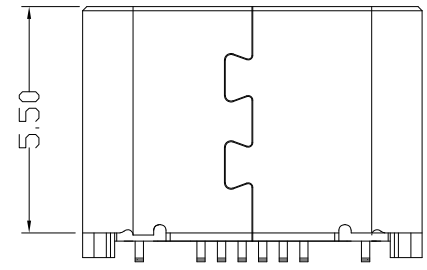
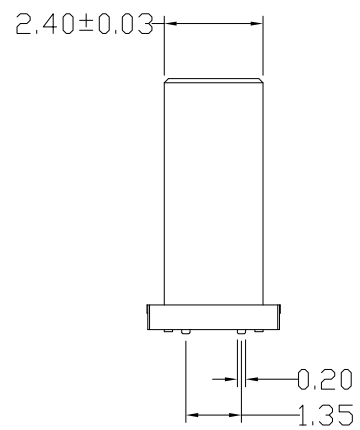
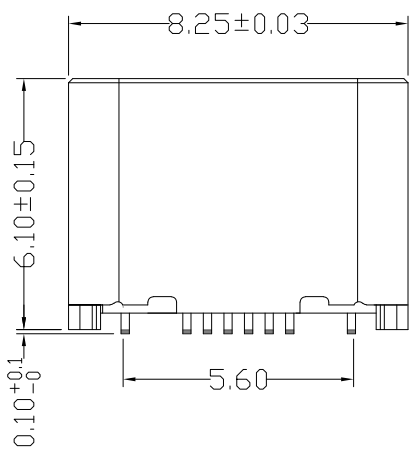


RoHS
Compliant
2002/95/EC

REV.	ECN.	NO.	APPD.



RECOMMENDED P.C.B. LAYOUT



A1	GND	B12	GND
A4	VBUS	B9	VBUS
A5	CC1	B8	
A6	DP1	B7	
A7	DN1	B6	
A8		B5	CC2
A9	VBUS	B4	VBUS
A12	GND	B1	GND
PIN	SIGNAL NAME	PIN	SIGNAL NAME

- NOTES:
- ELECTRICAL:
 - CURRENT RATING: 1.5AMP MAX;
 - INSULATION RESISTANCE: 100MΩ MIN;
 - CONTACT RESISTANCE: 50mΩ MAX;
 - WITHSTANDING VOLTAGE: 100V AC;
 - OPERATING TEMPERATURE: -30°C TO +85°C.
 - MECHANICAL:
 - MATING FORCE: 20N MAX.
 - UNMATED FORCE: 6N MIN.
 - DIMENSIONS MARKED "▼"
TO BE CHECKED BY Q.C & IPQC.

4.PART NO.
USCM-121N-4BPU50

W:WHITE
B:BLACK

1:1Au 10"
2:1Au 30"
3:1Au 15u"
4:1Au 300"

1:PBT
2:PA6T
3:PA9T
4:LCP

5				.X	±0.30	.X'	±2'
4				.XX	±0.20	.XX'	
3	HOUSING	LCP+30%GF	1	UL94V-0		.XXX	±0.10
2	TERMINAL	COPPER ALLOY	12	PLATED GOLD/TIN			
1	SHELL	STAINLESS STEEL	1	PLATED NICKEL			
NO	PARTS	MATERIAL	QTY	FINISHING			

					UNITS	mm
					MAT'L	
					SEE NOTE	
					FINISH	
					SEE NOTE	
					Q'TY	

雅安科技有限公司
ACCURATE INNOTECH INC.

TITLE: USB TYPE CM 12P 6.2插针
SMT 单边带卷边

PART NO.: USCM-12XN-4BPU50

DR: Ricky 2024/02/15

DWG NO.: AII-PU50

CHKD: Ricky 2024/02/15

APPD:

SCALE: 1:1 SHEET: 1/1 REV: B CUSTOMER DRAWING

THESE DRAWINGS AND SPECIFICATIONS ARE THE PROPERTY OF ACCURATE INNOTECH INC AND SHALL NOT BE REPRODUCED, COPIED OR USED IN ANY MANNER WITHOUT THE PRIOR WRITTEN CONSENT OF ACCURATE INNOTECH INC

