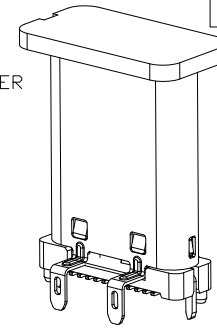
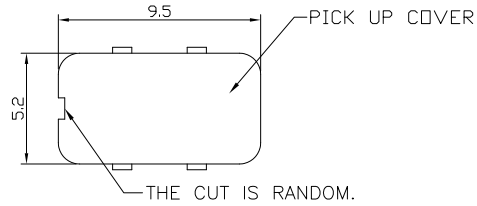
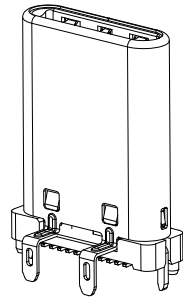
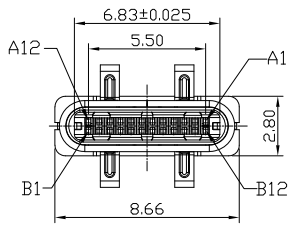


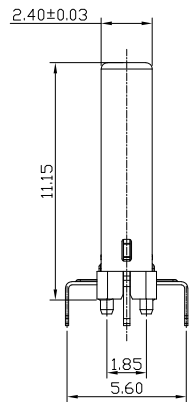
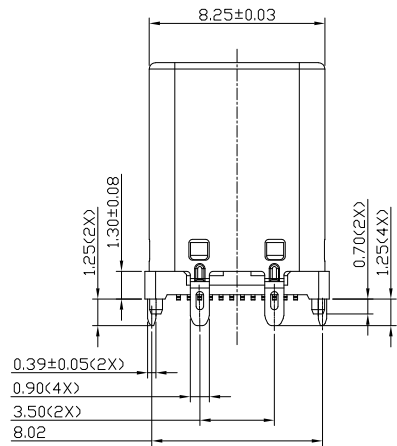


RoHS Compliant
2002/95/EC

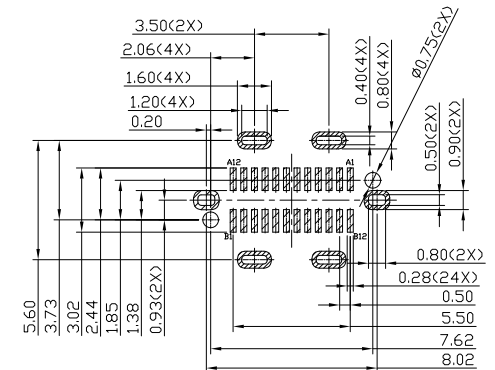
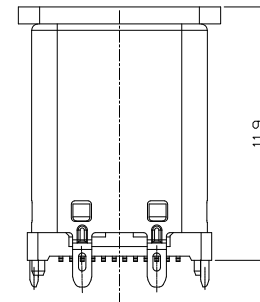
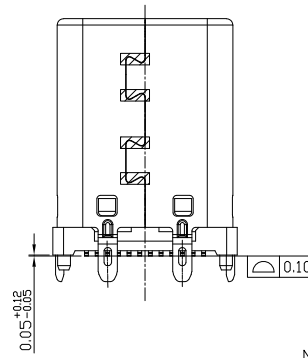
REV.	ECN.	NO.	APPD.



AFTER WITH PICKUP COVER



USB TYPE-C PIN ASSIGNMENTS



RECOMMENDED PCB LAYOUT(TOP VIEW)
THICKNESS 0.8±0.10MM;DEFAULT TOLERANCE:±0.05

PIN NUMBER	SIGNAL NAME	PIN NUMBER	SIGNAL NAME
A1	GND	B12	GND
A2	SSTXp1	B11	SSRXp1
A3	SSTXn1	B10	SSRXn1
A4	Vbus	B9	Vbus
A5	CC1	B8	SBU2
A6	Dp1	B7	Dn2
A7	Dn1	B6	Dp2
A8	SBU1	B5	CC2
A9	Vbus	B4	Vbus
A10	SSRXn2	B3	SSTXn2
A11	SSRXp2	B2	SSTXp2
A12	GND	B1	GND

NOTES:

1.ELECTRICAL:

1)CURRENT RATING: 3.0A.

VOLTAGE RATING: 5.0V

2)INSULATION RESISTANCE: 100MΩ MIN;

3)CONTACT RESISTANCE:

LLCR:VBUS & GND PINS AND OTHER PINS: 40mΩ/PIN MAX.

SHIELD: 50mΩ/MAX, LLCR MAX. CHANGE OF ALL PINS: 10mΩ

4)WITHSTANDING VOLTAGE: AC 100V FOR 1 MINUTE.

5)OPERATING TEMPERATURE:-25°C TO +85°C.

2.Mechanical:

1)Mating Force: 5N~20N

2)Unmating Force: 8N~20N

3)Durability: 10,000 cycles

3.DIMENSIONS MARKED "▼"
TO BE CHECKED BY Q.C & IPQC.

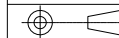
USCM-241N-4BQS21

- 1Au 1U'
- 2Au 3U'
- 5Au 15U'
- 6Au 30U'
- W:WHITE
- B:BLACK
- 1PBT
- 2PA6T
- 3PA9T
- 4LCP

Bill of materials:

NO	PARTS	MATERIAL	QTY	FINISHING	UNITS	±0.30	±10'	mm
6	PICKUP COVER	LCP+30%GF	1	UL94V-0	.X	±0.30	±10'	mm
5	FRONT SHELL	STAINLESS STEEL	1	PLATED NICKEL	.XX	±0.20	±8'	MAT'L
4	SPRING	STAINLESS STEEL	2		.XXX	±0.10	±5'	SEE NOTE
3	LATCH	STAINLESS STEEL	1	PLATED TIN/NICKEL				FINISH
2	CONTACT	COPPER ALLOY	24	PLATED GOLD/TIN				SEE NOTE
1	HOUSING	LCP+30%GF	1	UL94V-0				Q'TY

THESE DRAWINGS AND SPECIFICATIONS ARE THE PROPERTY OF ACCURATE INNOTECH INC AND SHALL NOT BE REPRODUCED, COPIED OR USED IN ANY MANNER WITHOUT THE PRIOR WRITTEN CONSENT OF ACCURATE INNOTECH INC.



雅安科技有限公司
ACCURATE INNOTECH INC.

TITLE: USB TYPE CM 直立式外壳4支脚 H=11.15mm	PART NO.: USCM-24XN-4BQS21
DR: Ricky 2023/08/10	DWG NO.: AII-QS21
CHKD: Ricky 2023/08/10	SCALE SHEET REV. CUSTOMER 1:1 1/1 B DRAWING
APPD:	