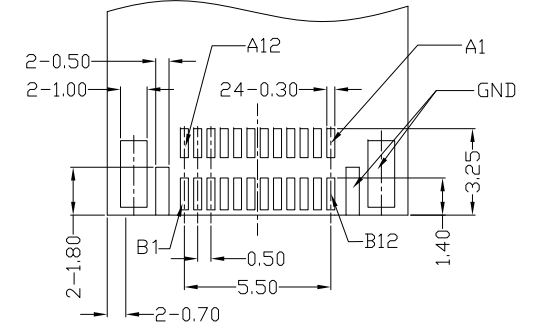
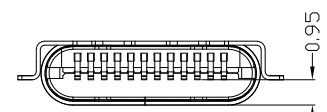
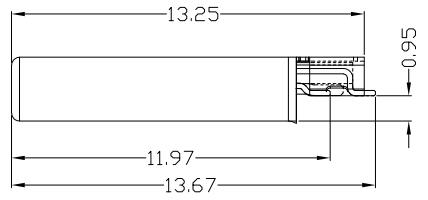
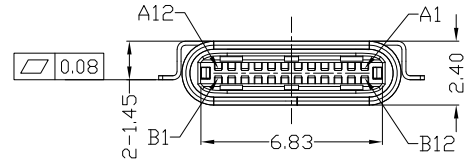
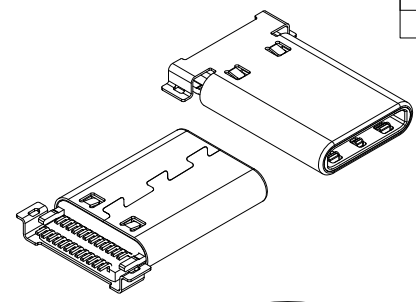
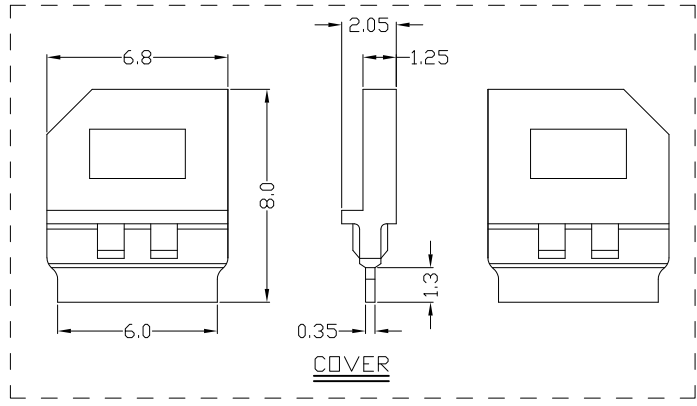
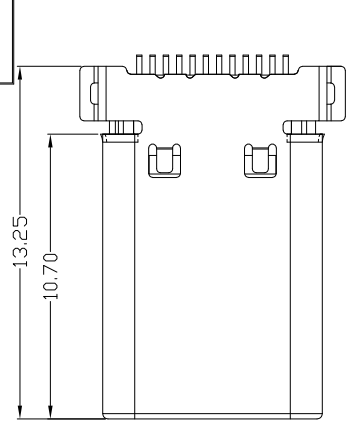




RoHS Compliant  
2002/95/EC

REV.	ECN.	NO.	APPD.



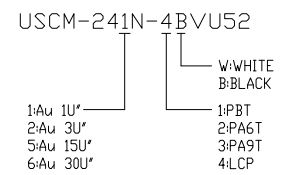
Recommended P.C.B Layout  
Tolerance ±0.05

NOTES:

- ELECTRICAL:
  - VOLTAGE CURRENT RATING: 5A MAX FOR VBUS/GND PIN; 0.9A MAX FOR OTHER PIN.
  - INSULATION RESISTANCE: 100mΩ MIN
  - CONTACT RESISTANCE: 40mΩ MAX FOR INITIAL. 10mΩ CHANGE AFTER TEST. MEASURE AT 20mV, 100mA.
  - WITHSTANDING VOLTAGE: 100V AC R.M.S.
  - OPERATING TEMPERATURE: -40°C TO +85°C.
- MECHANICAL:
  - MATING FORCE: 5N~20N.
  - UNMATED FORCE: 6N~20N AFTER TEST.
  - DURABILITY: 10,000 CYCLES.
- DIMENSIONS MARKED "▼"  
TO BE CHECKED BY Q.C & IPQC.

USB TYPE-C PIN ASSIGNMENTS

PIN NUMBER	SIGNAL NAME	PIN NUMBER	SIGNAL NAME
A1	GND	B12	GND
A2	SSTXp1	B11	SSRXp1
A3	SSTXn1	B10	SSRXn1
A4	Vbus	B9	Vbus
A5	CC1	B8	SBU2
A6	Dp1	B7	Dn2
A7	Dn1	B6	Dp2
A8	SBU1	B5	CC2
A9	Vbus	B4	Vbus
A10	SSRXn2	B3	SSTXn2
A11	SSRXp2	B2	SSTXp2
A12	GND	B1	GND



Bill of materials:

NO	PARTS	MATERIAL	QTY	FINISHING
6	COVER	LCP+30%GF	1	UL94V-0
5	BUCKLE	STAINLESS STEEL	1	PLATED TIN
4	SPRING	STAINLESS STEEL	1	PLATED NICKEL
3	SHELL	STAINLESS STEEL	1	PLATED NICKEL
2	CONTACT	COPPER ALLOY	24	PLATED GOLD/TIN
1	INSULATOR	LCP+30%GF	1	UL94V-0

UNITS	mm
.X ±0.35	.X' ±4'
.XX ±0.25	.X' ±3'
.XXX ±0.15	.XX' ±2'

雅安科技有限公司  
ACCURATE INNOTECH INC.

TITLE: USB TYPE CM 双排全贴24PIN 外壳脚贴板 沉板0.95

PART NO.: USCM-24XN-4BVU52

DR: Ricky 2022/11/09

DWG NO.: AII-VU52

CHKD: Ricky 2022/11/09

APPD:

SCALE: 1:1 SHEET: 1/1 REV: B CUSTOMER DRAWING

THESE DRAWINGS AND SPECIFICATIONS ARE THE PROPERTY OF ACCURATE INNOTECH INC AND SHALL NOT BE REPRODUCED, COPIED OR USED IN ANY MANNER WITHOUT THE PRIOR WRITTEN CONSENT OF ACCURATE INNOTECH INC.