

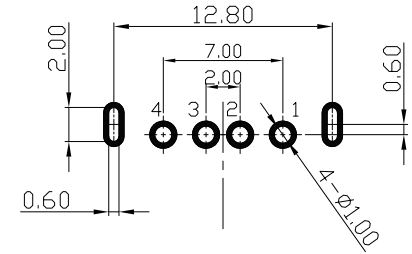
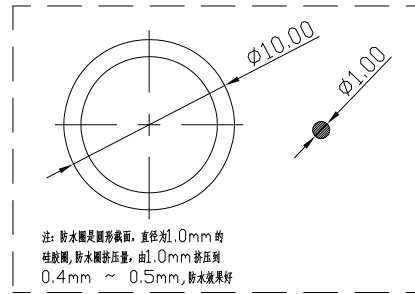
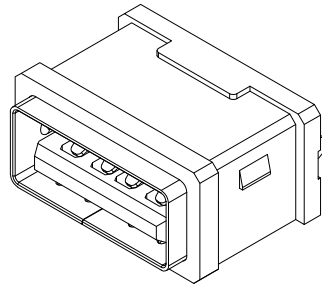
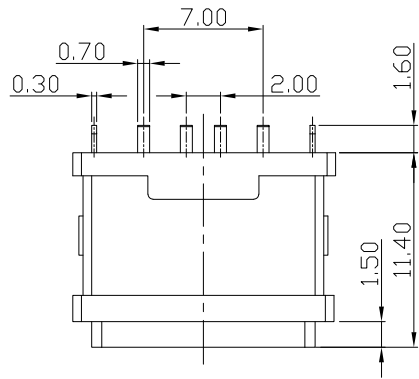


RoHS
Compliant
2002/95/EC



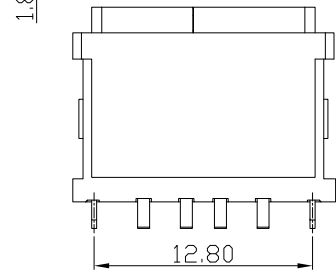
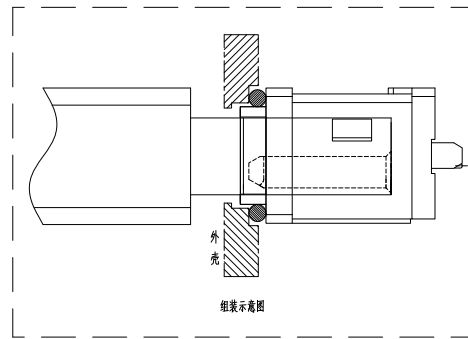
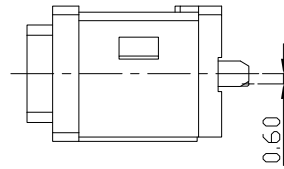
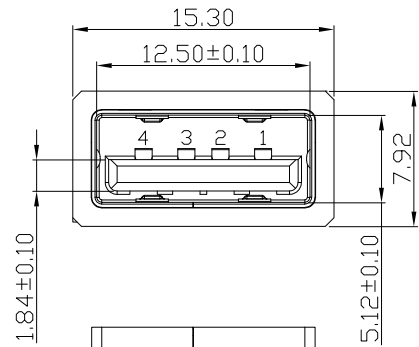
Halogen Free

REV.	ECN. NO.	APPD.



RECOMMENDED PCB LAYOUT(TOP VIEW)

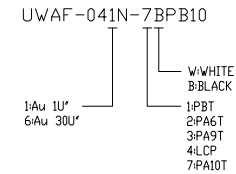
THICKNESS T=1.0mm
DEFAULT TOLERANCE+/-0.05



NOTES:

- ELECTRICAL:
 - CURRENT RATING: 3A MAX;
 - INSULATION RESISTANCE: 100MΩ MIN;
 - CONTACT RESISTANCE: 40mΩ MAX;
 - WITHSTANDING VOLTAGE: 100V AC;
 - OPERATING TEMPERATURE: -30°C TO +85°C.
- MECHANICAL:
 - INSERTION FORCE: 35N MAX.
 - UNMATING FORCE: 8N MIN.
 - DURABILITY: 1,500 CYCLES
- DIMENSIONS MARKED "▼"
TO BE CHECKED BY Q.C & IPQC.

4.PART NO.



PIN ASSIGNMENT

PIN NO.	1	2	3	4
SIGNAL NAME	VBUS	D-	D+	GND

7								
6	WATERPROOF RING	SILICONE RUBBER	1	TRANSPARENT	X.	±0.50	X.	±2'
5	EPOXY			BLACK	.X	±0.30	.X	±1'
4	SHELL	STAINLESS STEEL	1	PLATED NICKEL	.XX	±0.20	.XX	±0.5'
3	PLASTIC SHELL	PA10T+30%GF	1	UL94V-0	.XXX	±0.05		
2	CONTACT	COPPER ALLOY	4	PLATED GOLD/TIN				
1	HOUSING	PA10T+30%GF	1	UL94V-0				
NO	PARTS	MATERIAL	QTY	FINISHING				

THESE DRAWINGS AND SPECIFICATIONS ARE THE PROPERTY OF ACCURATE INNOTECH INC. AND SHALL NOT BE REPRODUCED, COPIED OR USED IN ANY MANNER WITHOUT THE PRIOR WRITTEN CONSENT OF ACCURATE INNOTECH INC.

UNITS mm
MAT'L SEE NOTE
FINISH SEE NOTE
Q'TY

雅安科技有限公司 ACCURATE INNOTECH INC.		TITLE: WATERPROOF USB A TYPE 母座 立式DIP两脚		PART NO.: UWAF-041N-7BPB10	
DR: Ricky 2025/01/11		DWG NO.: AII-PB10		SCALE SHEET REV. CUSTOMER DRAWING	
CHKD: Ricky 2025/01/11		APPD:		5:1 1/1 B	