

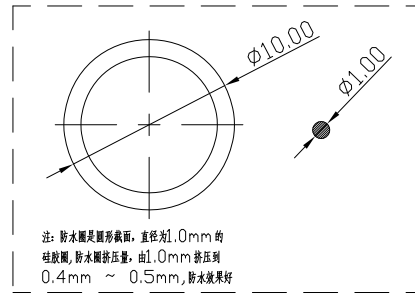
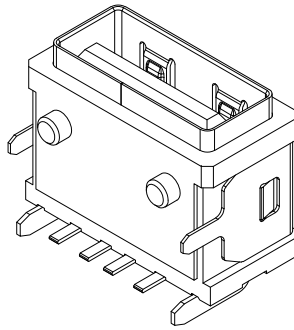
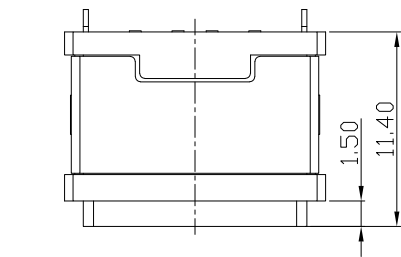


RoHS  
Compliant  
2002/95/EC



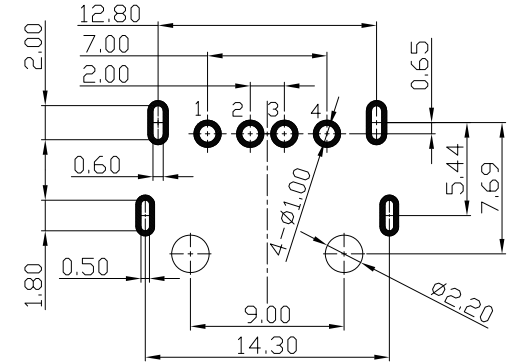
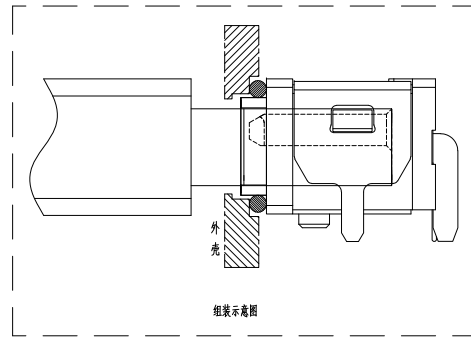
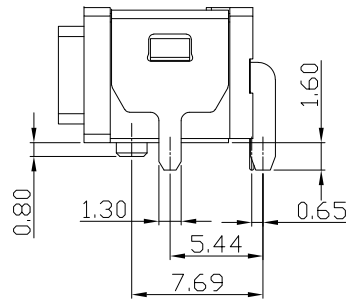
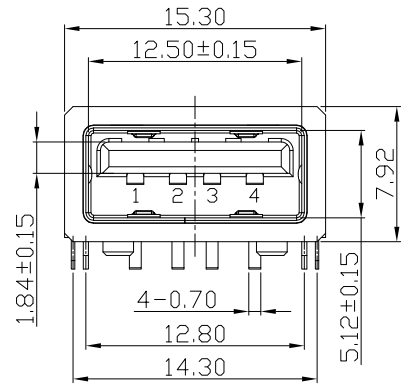
Halogen Free

REV.	ECN.	NO.	APPD.



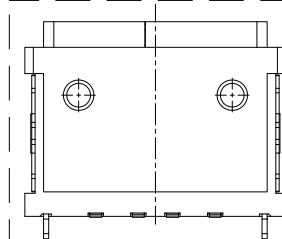
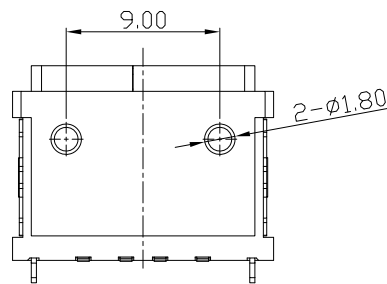
PIN ASSIGNMENT

PIN NO.	1	2	3	4
SIGNAL NAME	VBUS	D-	D+	GND

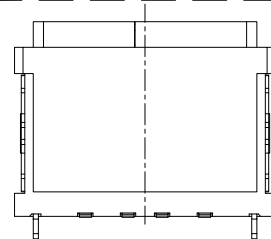


RECOMMENDED PCB LAYOUT(TOP VIEW)

THICKNESS T=1.0mm  
DEFAULT TOLERANCE+/-0.05



UWAF-04XN-7BRB10



UWAF-04XN-7BRB12

NOTES:

1.ELECTRICAL:

- CURRENT RATING: 3A MAX;
- INSULATION RESISTANCE: 100MΩ MIN;
- CONTACT RESISTANCE: 40mΩ MAX;
- WITHSTANDING VOLTAGE: 100V AC;
- OPERATING TEMPERATURE: -30°C TO +85°C.

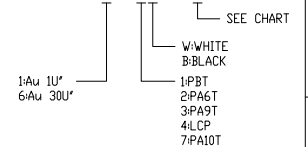
2.MECHANICAL:

- INSERTION FORCE: 35N MAX.
- UNMATING FORCE: 8N MIN.
- DURABILITY: 1,500 CYCLES

3.DIMENSIONS MARKED "▼"  
TO BE CHECKED BY Q.C & IPQC.

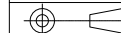
4.PART NO.

UWAF-041N-7BRB1X



7	WATERPROOF RING	SILICONE RUBBER	1	TRANSPARENT	x.	±0.50	x.	±2'	UNITS	mm
6	EPOXY			BLACK	.X	±0.30	.X	±1'	MAT'L	
5	OUTER SHELL	STAINLESS STEEL	1	PLATED NICKEL	.XX	±0.20	.XX	±0.5'	SEE NOTE	
4	INNER SHELL	STAINLESS STEEL	1	PLATED NICKEL	.XX	±0.20	.XX	±0.5'	SEE NOTE	
3	PLASTIC SHELL	PA10T+30%GF	1	UL94V-0	.XXX	±0.05			FINISH	
2	CONTACT	COPPER ALLOY	4	PLATED GOLD/TIN					SEE NOTE	
1	HOUSING	PA10T+30%GF	1	UL94V-0					Q'TY	
NO	PARTS	MATERIAL	QTY	FINISHING						

THESE DRAWINGS AND SPECIFICATIONS ARE THE PROPERTY OF ACCURATE INNOTECH INC AND SHALL NOT BE REPRODUCED, COPIED OR USED IN ANY MANNER WITHOUT THE PRIOR WRITTEN CONSENT OF ACCURATE INNOTECH INC



雅安科技有限公司  
ACCURATE INNOTECH INC.

TITLE: WATERPROOF USB A TYPE  
母座 板上式DIP四脚

PART NO.: UWAF-04XN-7BRB10&2

DR: Ricky 2025/01/11

DWG NO.: AII-RB10&2

CHKD: Ricky 2025/01/11

APPD:

SCALE	SHEET	REV.	CUSTOMER DRAWING
5:1	1/1	B	