

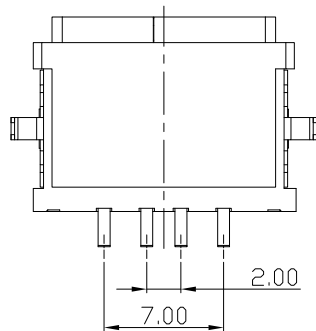
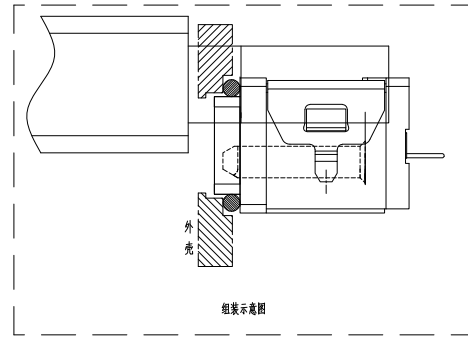
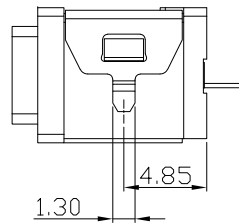
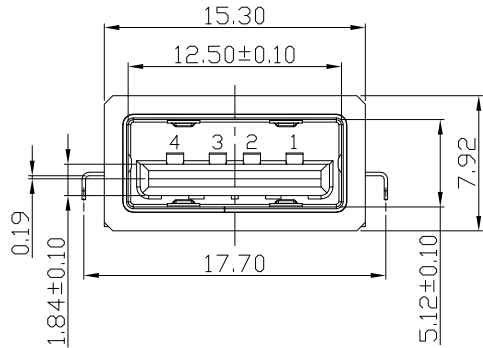
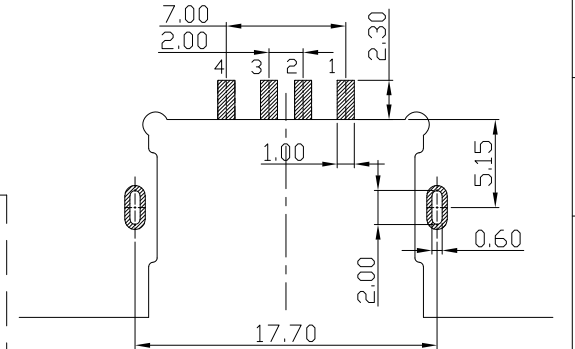
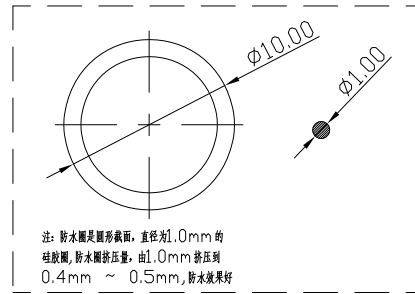
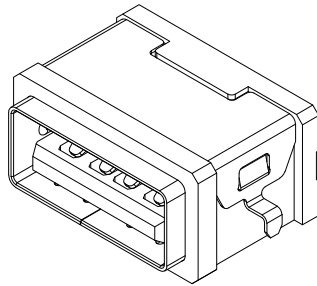
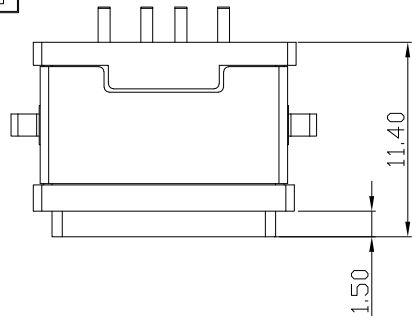


RoHS
Compliant
2002/95/EC



Halogen Free

REV.	ECN. NO.	APPD.



PIN ASSIGNMENT

PIN NO.	1	2	3	4
SIGNAL NAME	VBUS	D-	D+	GND

NOTES:

1.ELECTRICAL:

- CURRENT RATING: 3A MAX;
- INSULATION RESISTANCE: 100MΩ MIN;
- CONTACT RESISTANCE: 40mΩ MAX;
- WITHSTANDING VOLTAGE: 100V AC;
- OPERATING TEMPERATURE: -30°C TO +85°C.

2.MECHANICAL:

- INSERTION FORCE: 35N MAX.
- UNMATING FORCE: 8N MIN.
- DURABILITY: 1,500 CYCLES

3.DIMENSIONS MARKED "▼"
TO BE CHECKED BY Q.C & IPQC.

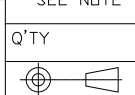
4.PART NO.

UWAF-041N-7BV B10

1:AU 1U'	W-WHITE
6:AU 30U'	B-BLACK
	1PBT
	2PA6T
	3PA9T
	4LCP
	7PA10T

7	WATERPROOF RING	SILICONE RUBBER	1	TRANSPARENT	X.	±0.50	X.	±2'	UNITS	mm
6	EPOXY			BLACK	.X	±0.30	.X	±1'	MAT'L	
5	OUTER SHELL	STAINLESS STEEL	1	PLATED NICKEL	.XX	±0.20	.XX	±0.5'	SEE NOTE	
4	INNER SHELL	STAINLESS STEEL	1	PLATED NICKEL	.XX	±0.20	.XX	±0.5'	SEE NOTE	
3	PLASTIE SHELL	PA10T+30%GF	1	UL94V-0	.XXX	±0.05			FINISH	
2	CONTACT	COPPER ALLOY	4	PLATED GOLD/TIN					SEE NOTE	
1	HOUSING	PA10T+30%GF	1	UL94V-0					Q'TY	
NO	PARTS	MATERIAL	QTY	FINISHING						

THESE DRAWINGS AND SPECIFICATIONS ARE THE PROPERTY OF ACCURATE INNOTECH INC. AND SHALL NOT BE REPRODUCED, COPIED OR USED IN ANY MANNER WITHOUT THE PRIOR WRITTEN CONSENT OF ACCURATE INNOTECH INC.



<p>雅安科技有限公司 ACCURATE INNOTECH INC.</p>		PART NO.:		UWAF-041N-7BV B10	
		TITLE:		WATERPROOF USB A TYPE 母座 反向 沉板SMT两脚	
DR:		Ricky 2025/01/11		DWG NO.:	
CHKD:		Ricky 2025/01/11		AII-VB10	
APPD:				SCALE	SHEET
				5:1	1/1
				REV.	CUSTOMER
				B	DRAWING