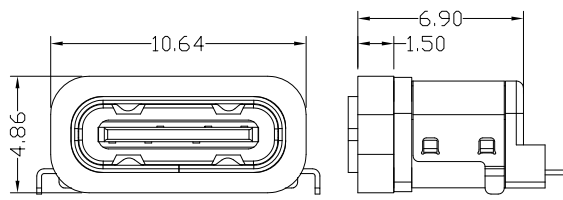
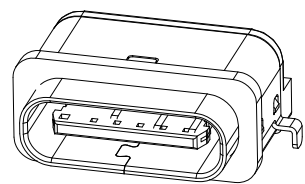
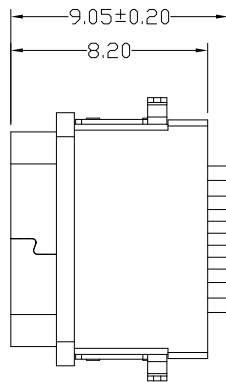
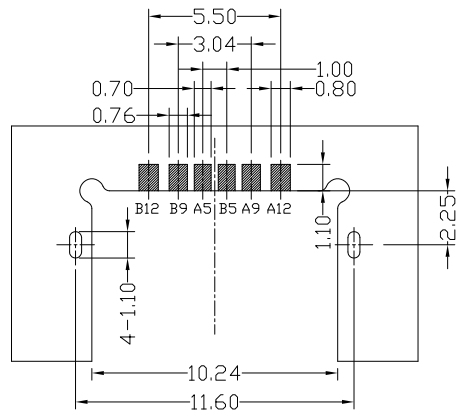
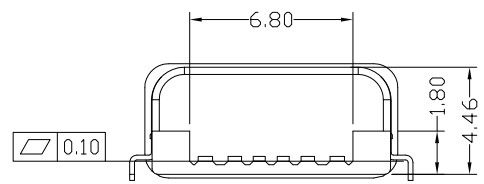
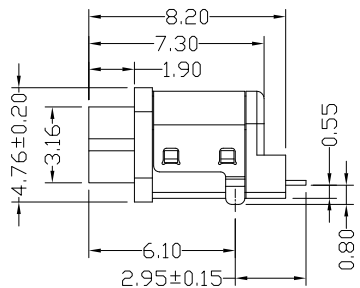
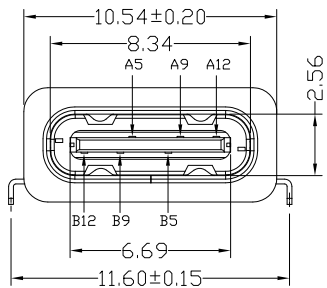




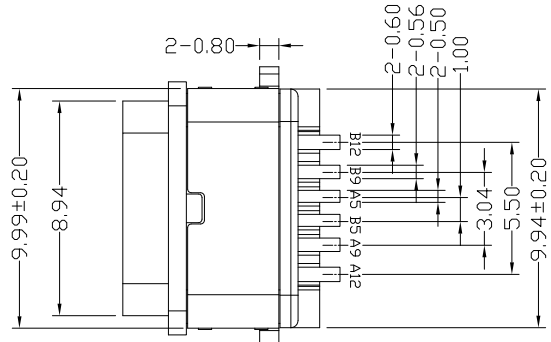
REV.	ECN.	NO.	APPD.



加防水圈示意图



RECOMMENDED P.C.B. LAYOUT  
TOLERANCE UNSPECIFIED ±0.05mm



A5	CC1	B12	GND
A9	VBUS	B9	VBUS
A12	GND	B5	CC2
PIN	SIGNAL NAME	PIN	SIGNAL NAME

- NOTES:  
 1.ELECTRICAL:  
 1)CURRENT RATING: 3A MAX.  
 2)INSULATION RESISTANCE: 100MΩ MIN;  
 3)CONTACT RESISTANCE: 40mΩ MAX;  
 4)WITHSTANDING VOLTAGE: 100V AC  
 5)OPERATING TEMPERATURE:-30°C TO +85°C.  
 2.Mechanical:  
 1)Mating Force: 5N~20N  
 2)Unmating Force: 8N~20N  
 3)Durability: 10,000 cycles  
 3.DIMENSIONS MARKED "▼"  
 TO BE CHECKED BY Q.C & IPQC.

4.PART NO.  
 UWCF-06\*N-4BVS22  
 W-WHITE  
 B-BLACK  
 1Au 1U"  
 2Au 3U"  
 5Au 15u"  
 6Au 30U"  
 1PB  
 2PA6T  
 3PA9T  
 4LCP

6	WATERPROOF RING	硅橡胶	1	BLACK	x.x ±0.30	x.* ±2*	UNITS	mm
5	SHELL	STAINLESS STEEL	1	PLATED NICKEL	.xx ±0.20	.xx* ±1*	MAT'L	
4	SHIELDING PLATE	STAINLESS STEEL	1		.xxx ±0.10	.xxx* ±0.5*	SEE NOTE	
3	CONTACT	COPPER ALLOY	6	PLATED GOLD/TIN			FINISH	
2	SHELL HOUSING	LCP+30%GF	1	UL94V-0			SEE NOTE	
1	HOUSING	LCP+30%GF	1	UL94V-0			Q'TY	
NO	PARTS	MATERIAL	QTY	FINISHING				

THESE DRAWINGS AND SPECIFICATIONS ARE THE PROPERTY OF ACCURATE INNOTECH INC AND SHALL NOT BE REPRODUCED, COPIED OR USED IN ANY MANNER WITHOUT THE PRIOR WRITTEN CONSENT OF ACCURATE INNOTECH INC

雅安科技有限公司  
 ACCURATE INNOTECH INC.

TITLE: USB Type-CF 单排6P 两脚插板 沉板 防水型

PART NO.: UWCF-06XN-4BVS22

DR: Ricky 2019/08/20

DWG NO.: AII-VS22

CHKD: Ricky 2019/08/20

APPD:

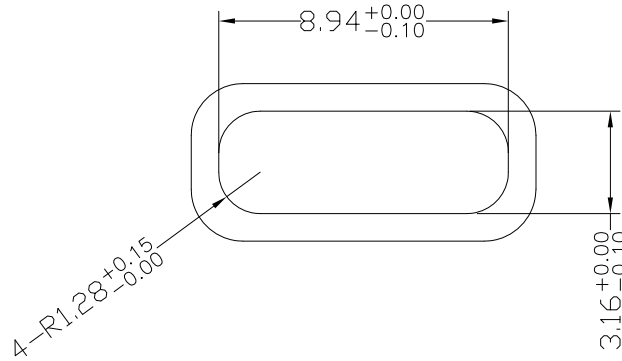
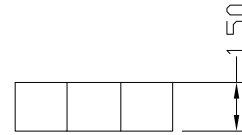
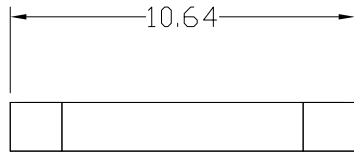
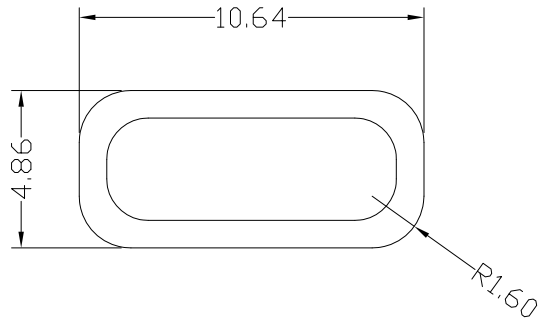
SCALE: 1:1 SHEET: 1/1 REV.: B CUSTOMER DRAWING



RoHS  
Compliant  
2002/95/EC

Halogen Free

REV.	ECN.	NO.	APPD.



Applicable to the part no:

NO	PART NO
1	UWCF-06XN-4BVS21
2	UWCF-06XN-4BVS22
3	UWCF-06XN-4BVS23
4	UWCF-06XN-4BVS24
5	UWCF-06XN-4BVS25

6					X.X ±0.15	X.* ±2*	UNITS	雅安科技有限公司 ACCURATE INNOTECH INC.			
5					.XX ±0.10	.XX* ±1*	MAT'L	TITLE: USB Type-CF 单排6P 防水系列 防水圈 PART NO.: UWCF-06XN-4BVS2X-WR1			
4					.XXX ±0.05	.XXX* ±0.5*	SEE NOTE				
3							FINISH	DR: Ricky 2019/08/20 DWG NO.: AII-VS2X-WR1			
2							SEE NOTE				
1	WATERPROOF RING	硅橡胶	1	BLACK	THESE DRAWINGS AND SPECIFICATIONS ARE THE PROPERTY OF ACCURATE INNOTECH INC AND SHALL NOT BE REPRODUCED, COPIED OR USED IN ANY MANNER WITHOUT THE PRIOR WRITTEN CONSENT OF ACCURATE INNOTECH INC		Q'TY	CHKD: Ricky 2019/08/20 SCALE: 1:1 SHEET: 1/1 REV: B CUSTOMER DRAWING			
NO	PARTS	MATERIAL	QTY	FINISHING							

