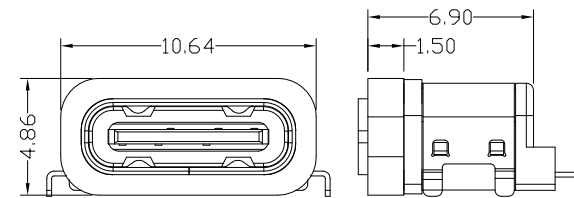
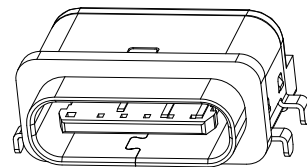
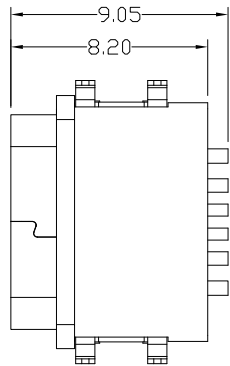
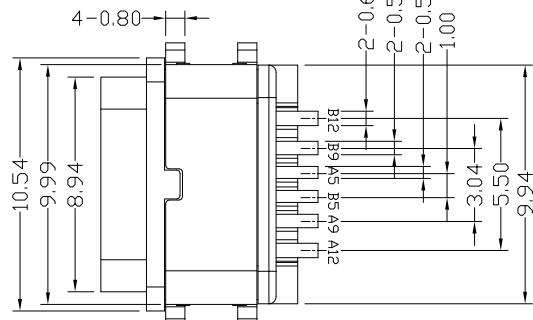
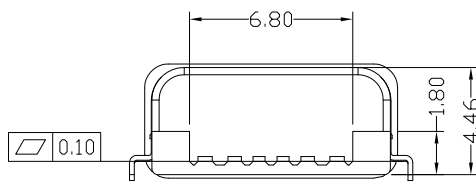
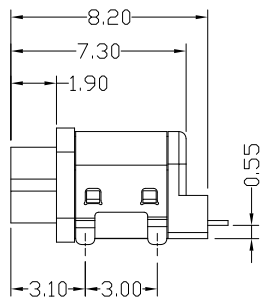
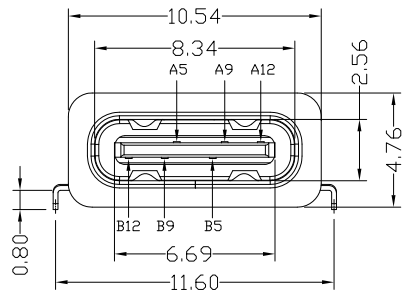




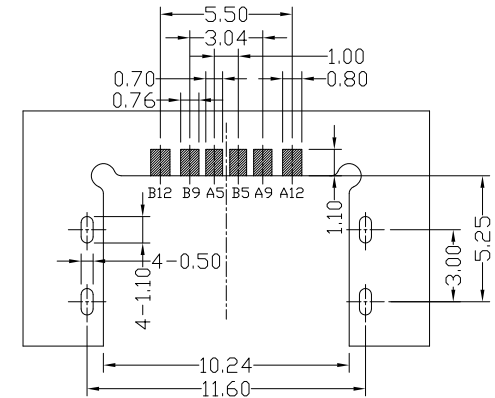
| REV. | ECN. NO. | APPD. |
|------|----------|-------|
| | | |
| | | |



加防水圈示意图



| | | | |
|-----|-------------|-----|-------------|
| A5 | CC1 | B12 | GND |
| A9 | VBUS | B9 | VBUS |
| A12 | GND | B5 | CC2 |
| PIN | SIGNAL NAME | PIN | SIGNAL NAME |



RECOMMENDED P.C.B. LAYOUT
TOLERANCE UNSPECIFIED ±0.05mm

- NOTES:
 1.ELECTRICAL:
 1)CURRENT RATING: 3A MAX.
 2)INSULATION RESISTANCE: 100MΩ MIN;
 3)CONTACT RESISTANCE: 40mΩ MAX;
 4)WITHSTANDING VOLTAGE: 100V AC
 5)OPERATING TEMPERATURE:-30°C TO +85°C.
 2.Mechanical:
 1)Mating Force: 5N~20N
 2)Unmating Force: 8N~20N
 3)Durability: 10,000 cycles
 3.DIMENSIONS MARKED "▼"
 TO BE CHECKED BY Q.C & IPQC.

- 4.PART NO.
 UWCF-06*N-4BVS23
 W-WHITE
 B-BLACK
 1PAU 1U*
 2PAU 3U*
 5PAU 15U*
 6PAU 30U*
 1PB
 2PA6T
 3PA9T
 4LCP

| | | | | | | |
|----|-----------------|-----------------|-----|-----------------|------------|-------------|
| 6 | WATERPROOF RING | 硅橡胶 | 1 | BLACK | x.x ±0.30 | x.* ±2* |
| 5 | SHELL | STAINLESS STEEL | 1 | PLATED NICKEL | .xx ±0.20 | .xx* ±1* |
| 4 | SHIELDING PLATE | STAINLESS STEEL | 1 | | .xxx ±0.10 | .xxx* ±0.5* |
| 3 | CONTACT | COPPER ALLOY | 6 | PLATED GOLD/TIN | | |
| 2 | SHELL HOUSING | LCP+30%GF | 1 | UL94V-0 | | |
| 1 | HOUSING | LCP+30%GF | 1 | UL94V-0 | | |
| NO | PARTS | MATERIAL | QTY | FINISHING | | |

THESE DRAWINGS AND SPECIFICATIONS ARE THE PROPERTY OF ACCURATE INNOTECH INC AND SHALL NOT BE REPRODUCED, COPIED OR USED IN ANY MANNER WITHOUT THE PRIOR WRITTEN CONSENT OF ACCURATE INNOTECH INC

雅安科技有限公司
ACCURATE INNOTECH INC.

TITLE: USB Type-CF 单排6P 四脚插板 沉板 防水型

PART NO.: UWCF-06XN-4BVS23

DR: Ricky 2019/08/20

DWG NO.: AII-VS23

CHKD: Ricky 2019/08/20

APPD:

SCALE: 1:1

SHEET: 1/1

REV.: B

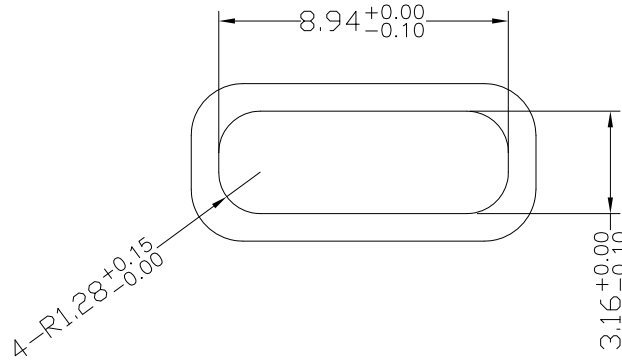
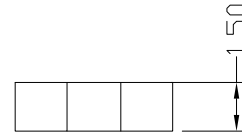
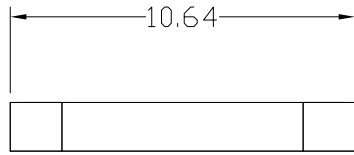
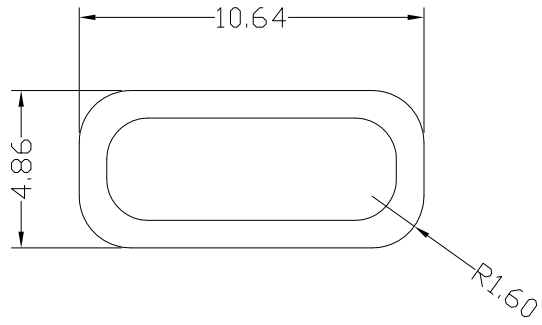
CUSTOMER DRAWING



RoHS
Compliant
2002/95/EC

Halogen Free

| REV. | ECN. | NO. | APPD. |
|------|------|-----|-------|
| | | | |
| | | | |
| | | | |



Applicable to the part no:

| NO | PART NO |
|----|------------------|
| 1 | UWCF-06XN-4BVS21 |
| 2 | UWCF-06XN-4BVS22 |
| 3 | UWCF-06XN-4BVS23 |
| 4 | UWCF-06XN-4BVS24 |
| 5 | UWCF-06XN-4BVS25 |

| | | | | | | | | | | | |
|----|-----------------|----------|-----|-----------|---|-------------|----------|--|--|--|--|
| 6 | | | | | X.X ±0.15 | X.* ±2* | UNITS | <p>雅安科技有限公司 ACCURATE INNOTECH INC.</p> <p>TITLE: USB Type-CF 单排6P 防水系列 防水圈</p> <p>PART NO.: UWCF-06XN-4BVS2X-WR1</p> <p>DR: Ricky 2019/08/20</p> <p>DWG NO.: AII-VS2X-WR1</p> <p>CHKD: Ricky 2019/08/20</p> <p>APPD:</p> <p>SCALE: 1:1 SHEET: 1/1 REV.: B CUSTOMER DRAWING</p> | | | |
| 5 | | | | | .XX ±0.10 | .XX* ±1* | MAT'L | | | | |
| 4 | | | | | .XXX ±0.05 | .XXX* ±0.5* | SEE NOTE | | | | |
| 3 | | | | | | | FINISH | | | | |
| 2 | | | | | | | SEE NOTE | | | | |
| 1 | WATERPROOF RING | 硅橡胶 | 1 | BLACK | <p>THESE DRAWINGS AND SPECIFICATIONS ARE THE PROPERTY OF ACCURATE INNOTECH INC AND SHALL NOT BE REPRODUCED, COPIED OR USED IN ANY MANNER WITHOUT THE PRIOR WRITTEN CONSENT OF ACCURATE INNOTECH INC</p> | | Q'TY | | | | |
| NO | PARTS | MATERIAL | QTY | FINISHING | | | | | | | |