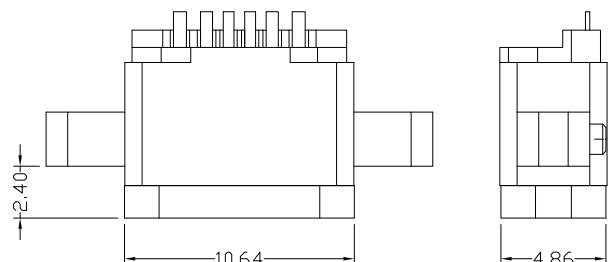
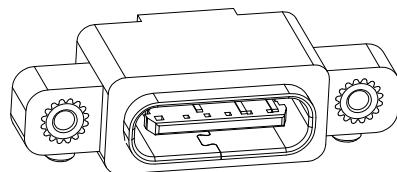
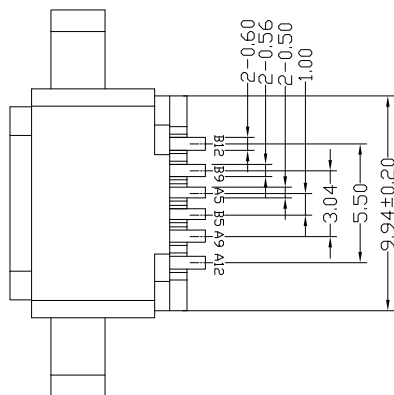




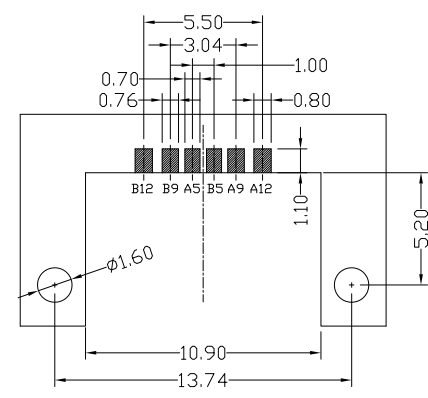
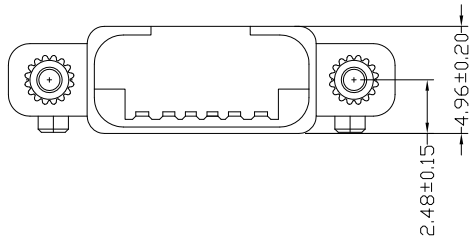
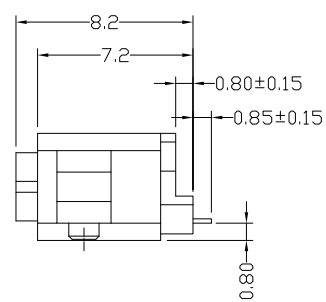
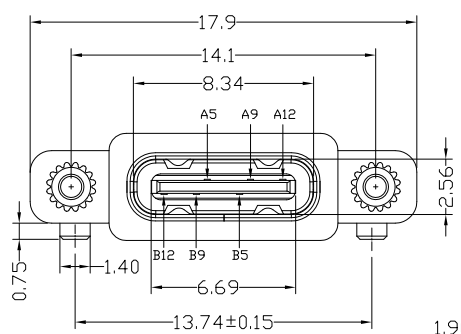
RoHS Compliant
2002/95/EC



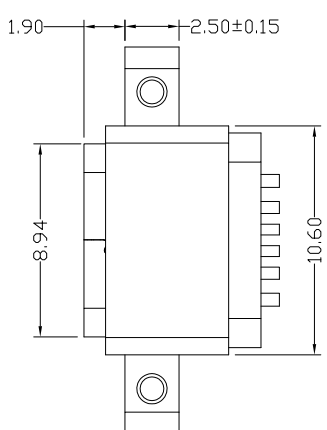
REV.	ECN.	NO.	APPD.



加防水圈示意图



RECOMMENDED P.C.B. LAYOUT
TOLERANCE UNSPECIFIED ±0.05mm



A5	CC1	B12	GND
A9	VBUS	B9	VBUS
A12	GND	B5	CC2
PIN	SIGNAL NAME	PIN	SIGNAL NAME

- NOTES:
 1.ELECTRICAL:
 1)CURRENT RATING: 3A MAX.
 2)INSULATION RESISTANCE: 100MΩ MIN;
 3)CONTACT RESISTANCE: 40mΩ MAX;
 4)WITHSTANDING VOLTAGE: 100V AC
 5)OPERATING TEMPERATURE:-30°C TO +85°C.
 2.Mechanical:
 1)Mating Force: 5N~20N
 2)Unmating Force: 8N~20N
 3) Durability: 10,000 cycles
 3.DIMENSIONS MARKED "▼"
 TO BE CHECKED BY Q.C & IPQC.

4.PART NO.
 UWCN-06*N-4BVS24
 W-WHITE
 B-BLACK
 1Au 1U*
 2Au 3U*
 5Au 15u*
 6Au 30U*
 1PBT
 2PA6T
 3PA9T
 4LCP

6	WATERPROOF RING	硅橡胶	1	BLACK	x.x ±0.30	x.* ±2*	UNITS mm
5	NUT	COPPER ALLOY	1		.xx ±0.20	.xx* ±1*	MAT'L
4	SHIELDING PLATE	STAINLESS STEEL	1		.xxx ±0.10	.xxx* ±0.5*	SEE NOTE
3	CONTACT	COPPER ALLOY	6	PLATED GOLD/TIN			FINISH
2	SHELL HOUSING	LCP+30%GF	1	UL94V-0			SEE NOTE
1	HOUSING	LCP+30%GF	1	UL94V-0			Q'TY
NO	PARTS	MATERIAL	QTY	FINISHING			

THESE DRAWINGS AND SPECIFICATIONS ARE THE PROPERTY OF ACCURATE INNOTECH INC AND SHALL NOT BE REPRODUCED, COPIED OR USED IN ANY MANNER WITHOUT THE PRIOR WRITTEN CONSENT OF ACCURATE INNOTECH INC

雅安科技有限公司
ACCURATE INNOTECH INC.

TITLE: USB Type-CF 单排6P 带螺母 防水型

PART NO.: UWCN-06XN-4BVS24

DR: Ricky 2019/08/20

DWG NO.: AII-VS24

CHKD: Ricky 2019/08/20

APPD:

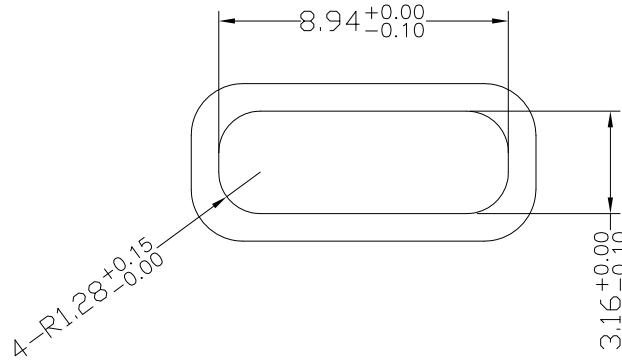
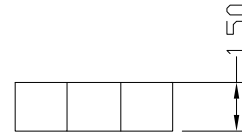
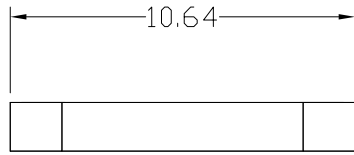
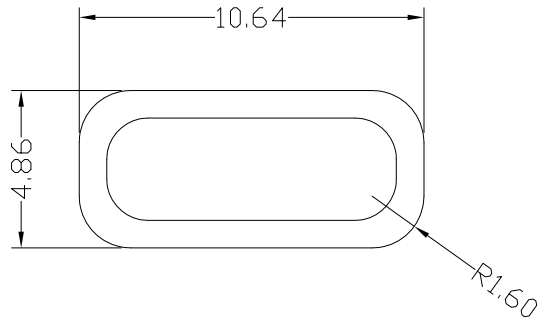
SCALE: 1:1 SHEET: 1/1 REV.: B CUSTOMER DRAWING



RoHS
Compliant
2002/95/EC

Halogen Free

REV.	ECN.	NO.	APPD.



Applicable to the part no:

NO	PART NO
1	UWCF-06XN-4BVS21
2	UWCF-06XN-4BVS22
3	UWCF-06XN-4BVS23
4	UWCF-06XN-4BVS24
5	UWCF-06XN-4BVS25

6					X.X ±0.15	X.* ±2*	UNITS	雅安科技有限公司 ACCURATE INNOTECH INC.			
5					.XX ±0.10	.XX* ±1*	MAT'L	TITLE: USB Type-CF 单排6P 防水系列 防水圈		PART NO.: UWCF-06XN-4BVS2X-WR1	
4					.XXX ±0.05	.XXX* ±0.5*	SEE NOTE	DR: Ricky 2019/08/20		DWG NO.: AII-VS2X-WR1	
3							FINISH	CHKD: Ricky 2019/08/20		SCALE SHEET REV. CUSTOMER 1:1 1/1 B DRAWING	
2							SEE NOTE	APPD:			
1	WATERPROOF RING	硅橡胶	1	BLACK	THESE DRAWINGS AND SPECIFICATIONS ARE THE PROPERTY OF ACCURATE INNOTECH INC AND SHALL NOT BE REPRODUCED, COPIED OR USED IN ANY MANNER WITHOUT THE PRIOR WRITTEN CONSENT OF ACCURATE INNOTECH INC		Q'TY				
NO	PARTS	MATERIAL	QTY	FINISHING							