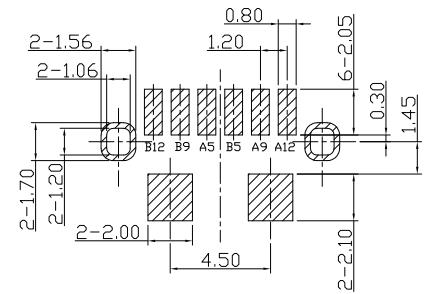
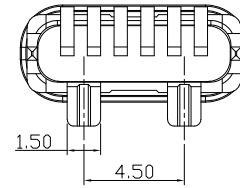
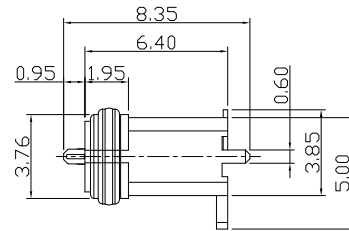
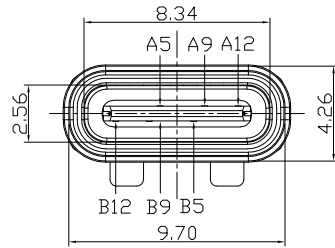
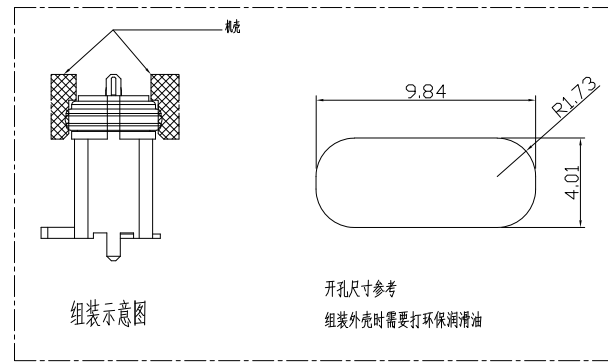
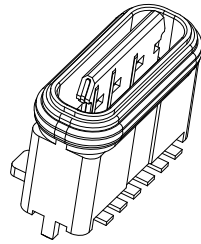
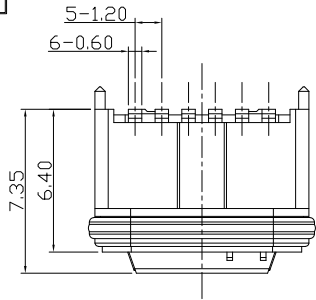




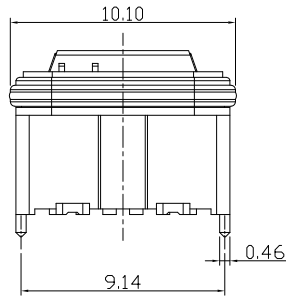
RoHS  
Compliant  
2002/95/EC



Halogen Free



RECOMMENDED P.C.B LAYOUT  
TOP VIEW (TOLERANCE: ±0.05)



NOTES:

- ELECTRICAL:
  - CURRENT RATING: 3A
  - INSULATION RESISTANCE: 100MΩ MIN;
  - CONTACT RESISTANCE: 30mΩ MAX.(INITIAL);
  - WITHSTANDING VOLTAGE: 100V AC MIN;
  - OPERATING TEMPERATURE: -30°C TO +85°C.

4.PART NO.  
UWCF-061N-7BQB10

2.Mechanical:

- Mating Force: 5N~20N;
  - Unmating Force: 6N~20N;
  - Durability: 5,000 cycles MIN.;
- 3.DIMENSIONS MARKED ▼ TO BE CHECKED BY Q.C & IPQC.

1:Au 1U\*  
2:Au 3U\*  
5:Au 15U\*  
6:Au 30U\*

W:WHITE  
B:BLACK

1:PBT  
2:PA6T  
3:PA9T  
4:LCP  
7:PA10T

PIN	SIGNAL NAME	PIN	SIGNAL NAME
A5	CC1	B12	GND
A9	VBUS	B9	VBUS
A12	GND	B5	CC2

Bill of materials:

NO	PARTS	MATERIAL	QTY	FINISHING
7				
6				
5	COVER	LCP+30%GF	1	BLACK
4	RING	SILICON RUBBER	1	WHITE
3	SHELL	ZINC ALLOY	1	PLATED NICKEL
2	CONTACT	COPPER ALLOY	6	PLATED GOLD/NICKEL
1	HOUSING	PA10T+30%GF	1	UL94V-0

	x.	±0.50	x.*	±2°	UNITS	mm
	.X	±0.30	.X*	±1°	MAT'L	
	.XX	±0.10	.XX*	±0.5°	SEE NOTE	
	.XXX	±0.05			FINISH	
					SEE NOTE	
					Q'TY	

THESE DRAWINGS AND SPECIFICATIONS ARE THE PROPERTY OF ACCURATE INNOTECH AND SHALL NOT BE REPRODUCED, COPIED OR USED IN ANY MANNER WITHOUT THE PRIOR WRITTEN CONSENT OF ACCURATE INNOTECH INC.

雅安科技有限公司 ACCURATE INNOTECH INC.			
TITLE: USB TYPE CF 6P 单排立贴 H7.35 防水型		PART NO.: UWCF-06XN-7BQB10	
DR: Ricky 2022/05/09		DWG NO.: AII-QB10	
CHKD: Ricky 2022/05/09		SCALE	SHEET
APPD:		1:1	1/1
		REV.	CUSTOMER
		B	DRAWING