

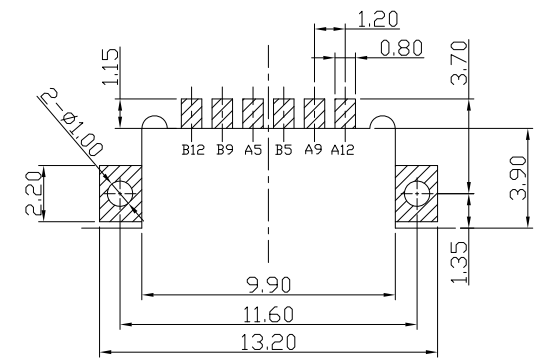
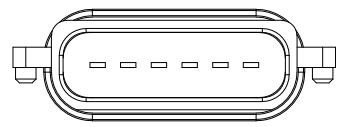
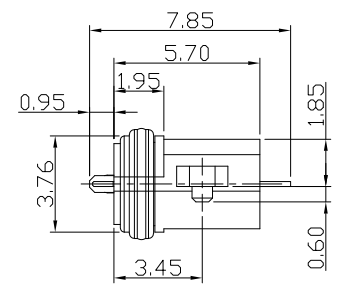
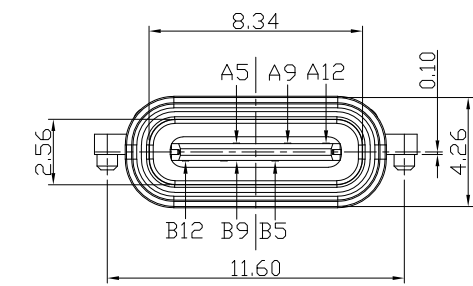
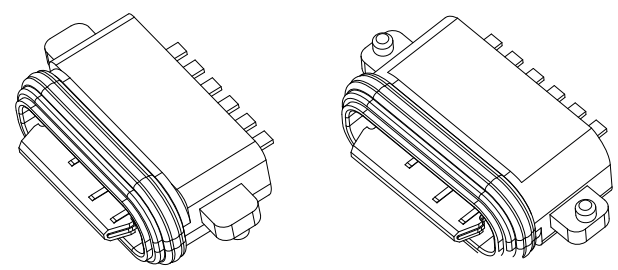
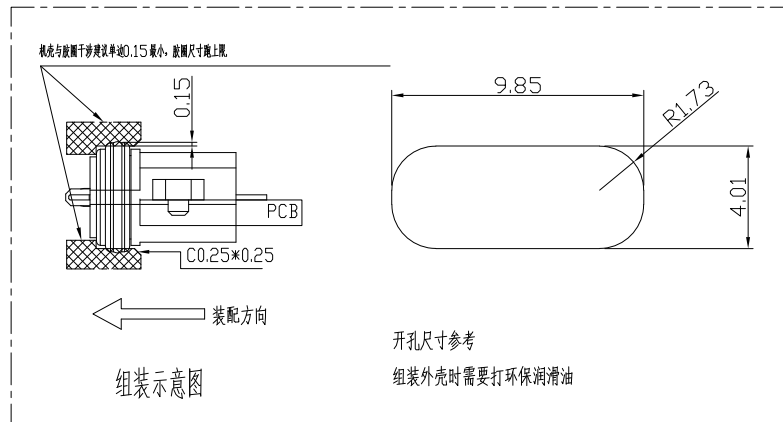
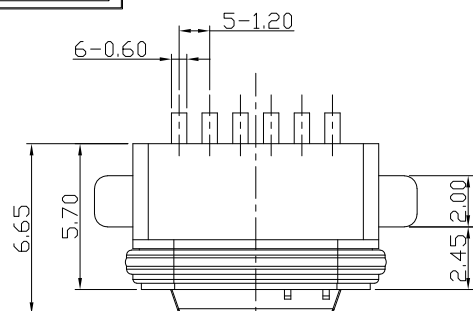


RoHS Compliant
2002/95/EC

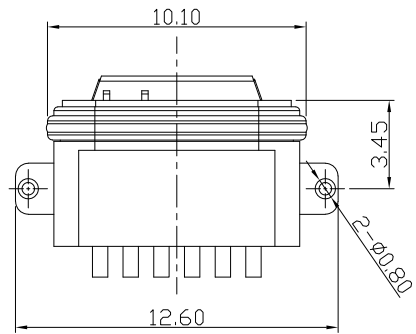


Halogen Free

REV.	ECN.	NO.	APPD.



RECOMMENDED P.C.B LAYOUT
TOP VIEW (TOLERANCE:±0.05)



A5	CC1	B12	GND
A9	VBUS	B9	VBUS
A12	GND	B5	CC2
PIN	SIGNAL NAME	PIN	SIGNAL NAME

- NOTES:
 1.ELECTRICAL:
 1)CURRENT RATING: 3A MAX.
 2)INSULATION RESISTANCE: 100MΩ MIN.;
 3)CONTACT RESISTANCE: 30mΩ MAX.(INITIAL);
 4)WITHSTANDING VOLTAGE: 100V AC MIN.;
 5)OPERATING TEMPERATURE:-30°C TO +80°C.
 2.Mechanical:
 1)Mating Force: 5N~20N
 2)Unmating Force: 6N~20N
 3)Durability: 5,000 cycles
 3.DIMENSIONS MARKED "▼"
 TO BE CHECKED BY Q.C & IPQC.

- 4.PART NO.
 UWCF-061N-7BVVB13
 W/WHITE
 B/BLACK
 1#PBT
 2#PA6T
 3#PA9T
 4#LCP
 7#PA10T
 1#Au 1U*
 2#Au 3U*
 5#Au 15U*
 6#Au 30U*

6				X.	±0.50	X.*	±2'
5				.X	±0.30	.X*	±1'
4	WATERPROOF RING	SILICONE RUBBER	1	.XX	±0.10	.XX*	±0.5'
3	SHELL	ZINC ALLOY	1	.XXX	±0.05		
2	CONTACT	COPPER ALLOY	6				
1	HOUSING	PA10T+30%GF	1				
NO	PARTS	MATERIAL	QTY				

UNITS	mm	雅安科技有限公司 ACCURATE INNOTECH INC.			
MAT'L	SEE NOTE				
FINISH	SEE NOTE	TITLE:	PART NO.:		
Q'TY	SEE NOTE	DR:	UWCF-061N-7BVVB13		
	THESE DRAWINGS AND SPECIFICATIONS ARE THE PROPERTY OF ACCURATE INNOTECH INC. AND SHALL NOT BE REPRODUCED, COPIED OR USED IN ANY MANNER WITHOUT THE PRIOR WRITTEN CONSENT OF ACCURATE INNOTECH INC.	CHKD:	AII-VB13		
		APPD:	SCALE	SHEET	REV.
			1:1	1/1	B
				CUSTOMER DRAWING	