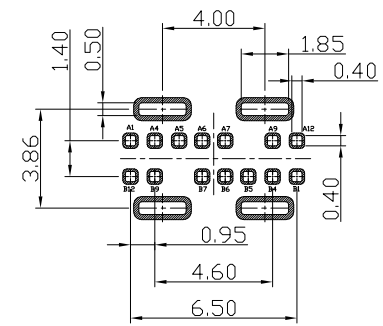
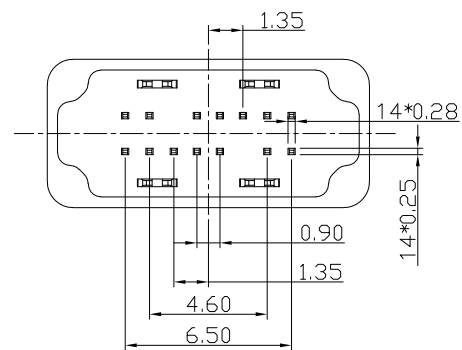
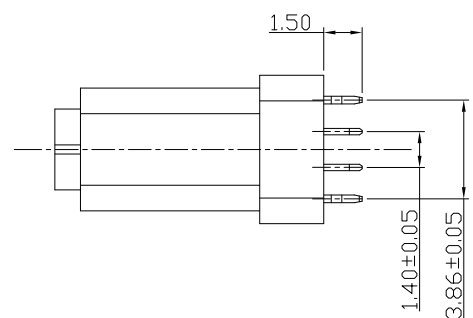
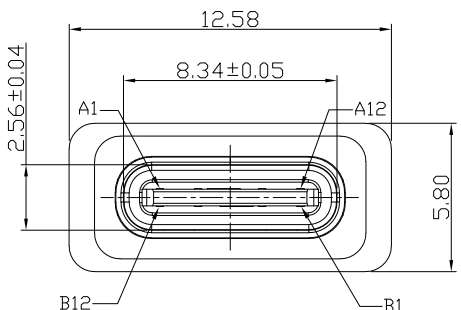
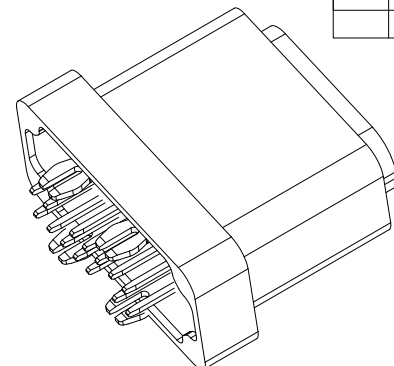
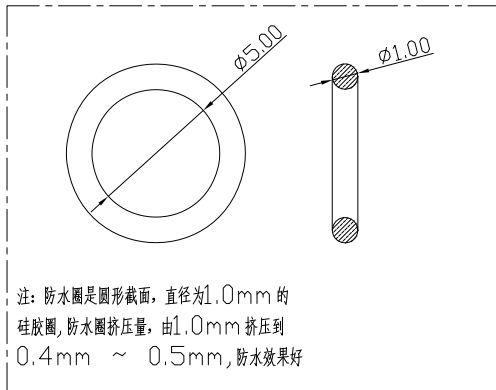
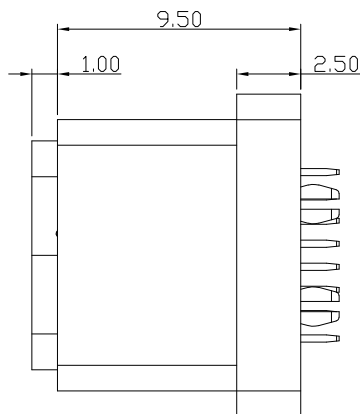


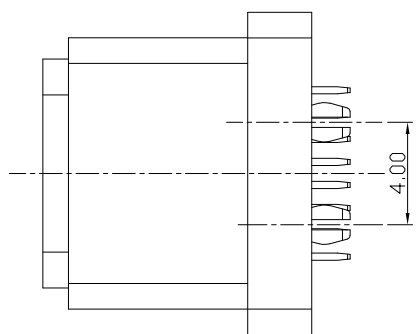

RoHS Compliant
 2002/95/EC
Halogen Free


 30 Mlm/1m
IP-67

REV.	ECN.	NO.	APPD.



RECOMMENDED P.C.B. LAYOUT
TOLERANCE UNSPECIFIED ±0.05mm



A1	GND	B12	GND
A4	VBUS	B9	VBUS
A5	CC1		
A6	DP1	B7	DN2
A7	DN1	B6	DP2
		B5	CC2
A9	VBUS	B4	VBUS
A12	GND	B1	GND
PIN	SIGNAL NAME	PIN	SIGNAL NAME

NOTES:
 1.ELECTRICAL:
 1)CURRENT RATING: 3A MAX; 100V AC.
 2)INSULATION RESISTANCE: 100MΩ MIN.;
 3)CONTACT RESISTANCE: 40mΩ MAX.
 4)WITHSTANDING VOLTAGE: 100V AC MIN.;
 5)OPERATING TEMPERATURE:-30°C TO +85°C.
 2.Mechanical:
 1)Mating Force: 5N~20N
 2)Unmating Force: 8N~20N
 3)Durability: 10,000 cycles
 3.DIMENSIONS MARKED "▼"
 TO BE CHECKED BY Q.C & IPQC.

4.PART NO.
 UWCF-141N-7BPB10
 W:WHITE
 B:BLACK
 1#Au 10"
 2#Au 30"
 5#Au 150"
 6#Au 300"
 1#PBT
 2#PA6T
 3#PA9T
 4#LCP
 7#PA10T

6				X.	±0.50	X.*	±2*
5	WATERPROOF RING	SILICONE RUBBER	1	BLACK	X	±0.30	.X.* ±1*
4	SHELL	STAINLESS STEEL	1	PLATED NICKEL	.XX	±0.10	.XX.* ±0.5*
3	CONTACT	COPPER ALLOY	14	PLATED GOLD/NICKEL	.XXX	±0.05	
2	MOLDING	LCP+30%GF	1	UL94V-0	THESE DRAWINGS AND SPECIFICATIONS ARE THE PROPERTY OF ACCURATE INNOTECH INC AND SHALL NOT BE REPRODUCED, COPIED OR USED IN ANY MANNER WITHOUT THE PRIOR WRITTEN CONSENT OF ACCURATE INNOTECH INC		
1	HOUSING	PA10T+30%GF	1	UL94V-0			
NO	PARTS	MATERIAL	QTY	FINISHING			

UNITS	mm	雅安科技有限公司 ACCURATE INNOTECH INC.				
MAT'L	SEE NOTE					
FINISH	SEE NOTE	TITLE:	PART NO.:			
Q'TY	SEE NOTE	DR:	UWCF-141N-7BPB10			
		CHKD:	DWG NO.:			
		APPD:	AII-PB10			
			SCALE	SHEET	REV.	CUSTOMER DRAWING
			1:1	1/1	B	