

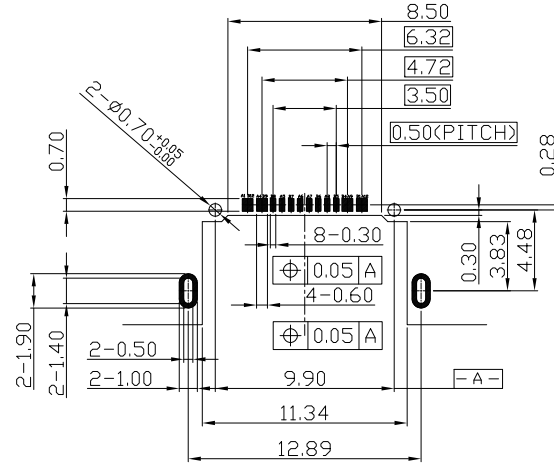
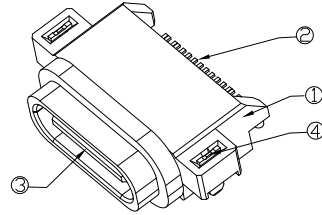
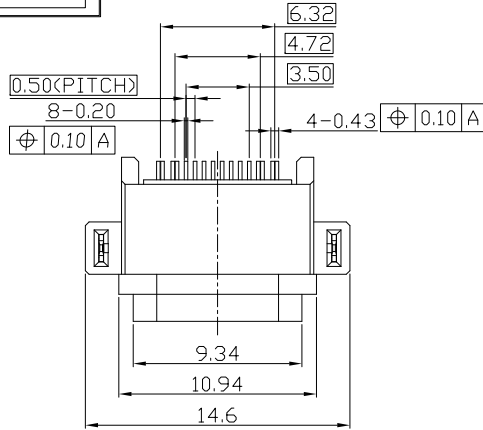


RoHS Compliant
2002/95/EC



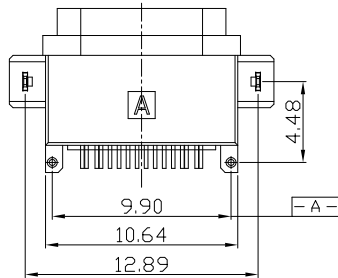
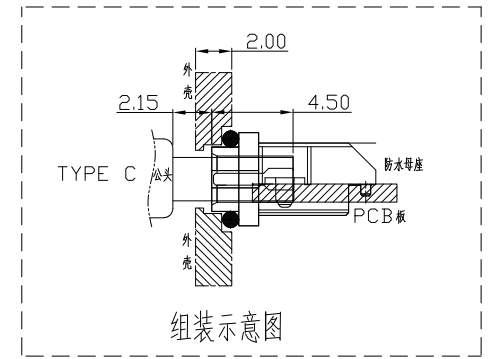
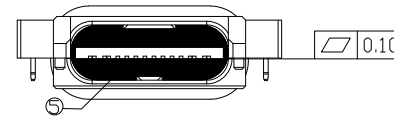
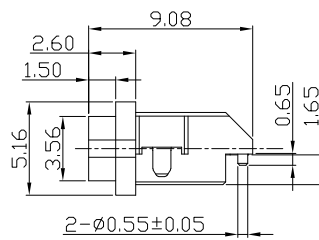
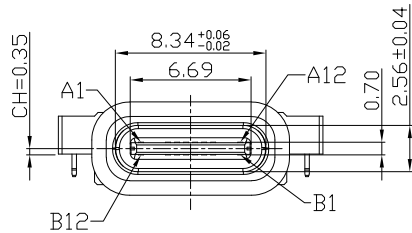
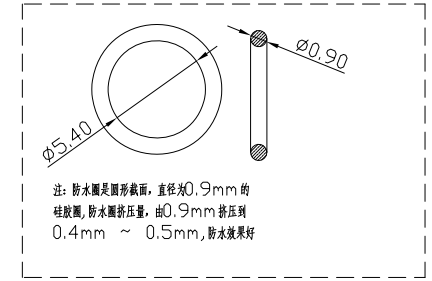
Halogen Free

REV.	ECN.	NO.	APPD.



RECOMMENDED PCB LAYOUT(TOP VIEW)

THICKNESS T=1.0mm
DEFAULT TOLERANCE+/-0.05



INTERFACE(FRONT VIEW)

A1	A2	A3	A4	A5	A6	A7	A8	A9	A10	A11	A12
GND		VBUS	CC1	DP1	DN1	SBU1	VBUS				GND
GND		VBUS	SBU2	DN2	DP2	CC2	VBUS				GND
B12	B11	B10	B9	B8	B7	B6	B5	B4	B3	B2	B1

PIN ASSIGNMENT

PIN NO.	A1&B12	A4&B9	B8	A5	B7	A6	A7	B6	A8	B5	A9&B4	A12&B1
SINGAL NAME	GND	VBUS	SBU2	CC1	DN2	DP1	DN1	DP2	SBU1	CC2	VBUS	GND

NOTES:

- ELECTRICAL:
 - CURRENT RATING: 3A MAX.
 - INSULATION RESISTANCE: 100MΩ MIN.
 - CONTACT RESISTANCE: 40mΩ MAX.
 - WITHSTANDING VOLTAGE: 100V AC MIN.
 - OPERATING TEMPERATURE:-30°C TO +80°C.

2.Mechanical:

- Mating Force: 5N~20N
- Unmating Force: 8N~20N
- Durability: 10,000 CYCLES MIN;

3.DIMENSIONS MARKED "▼"
TO BE CHECKED BY Q.C & IPQC.

4.PART NO.
UWCF-161N-7BV B17

- 1:Au 1U*
- 2:Au 3U*
- 5:Au 15U*
- 6:Au 30U*

- W:WHITE
- B:BLACK

- 1:PBT
- 2:PA6T
- 3:PA9T
- 4:PC
- 7:PA10T

Bill of materials:

NO	PARTS	MATERIAL	QTY	FINISHING	UNITS	mm
6	WATERPROOF RING	SILICONE RUBBER	1	BLACK	X.	±0.50
5	EPOXY			BLACK	.X	±0.30
4	TERMINAL	STAINLESS STEEL	2	PLATED NICKEL	.XX	±0.20
3	HOUSING	PA10T+30%GF	1	UL94V-0	.XXX	±0.05
2	CONTACT	COPPER ALLOY	16	PLATED GOLD		
1	SHELL HOUSING	PA10T+30%GF	1	UL94V-0		

THESE DRAWINGS AND SPECIFICATIONS ARE THE PROPERTY OF ACCURATE INNOTECH AND SHALL NOT BE REPRODUCED, COPIED OR USED IN ANY MANNER WITHOUT THE PRIOR WRITTEN CONSENT OF ACCURATE INNOTECH INC.

雅安科技有限公司 ACCURATE INNOTECH INC.			
TITLE: USB TYPE CF 16P单排贴板 沉板 1.65 两脚 全塑 防水型		PART NO.: UWCF-16XN-7BV B17	
DR: Ricky 2022/04/27		DWG NO.: AII-VB17	
CHKD: Ricky 2022/04/27		SCALE	SHEET
APPD:		1:1	1/1
		REV.	CUSTOMER DRAWING
		B	