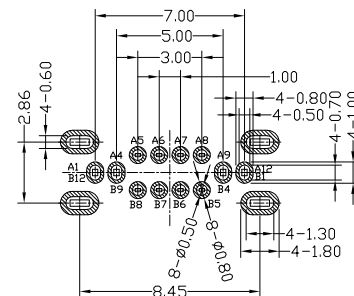
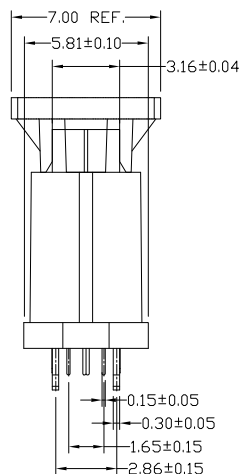
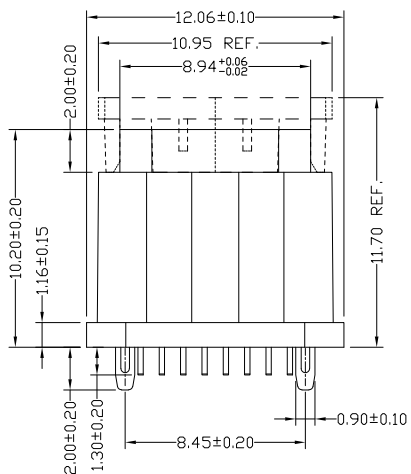
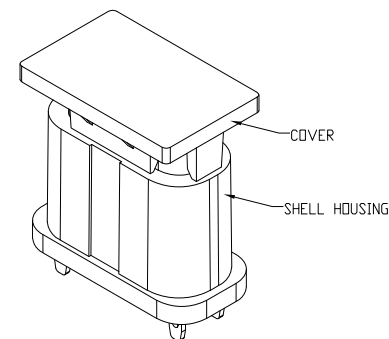
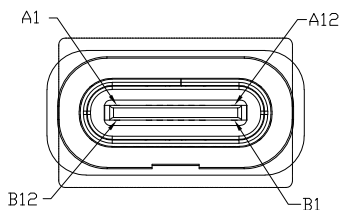




RoHS Compliant
2002/95/EC



REV.	ECN.	NO.	APPD.



RECOMMENDED P.C.B. LAYOUT
TOLERANCE UNSPECIFIED ±0.05mm

NOTES:

- 1.ELECTRICAL:**
 - 1) VOLTAGE CURRENT RATING: 3.0A, 5.0V
 - 2) INSULATION RESISTANCE: 100MΩ MIN.
 - 3) CONTACT RESISTANCE:
LLCR:VBUS & GND PINS AND OTHER PINS: 40mΩ/PIN MAX.
SHIELD:50mΩ/MAX.
 - 4) WITHSTANDING VOLTAGE: 100V AC FOR 1 MINUTE.
 - 5) OPERATING TEMPERATURE:-25°C TO +85°C.
- 2.MECHANICAL:**
 - 1) MATING FORCE: 5N~20N MAX.
 - 2) UNMATING FORCE: 8N~20N MIN.
 - 3) DURABILITY: 10,000 CYCLES
- 3.DIMENSIONS MARKED "▼"
TO BE CHECKED BY Q.C & IPQC.**

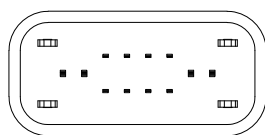
4.PART NO.

UWCF-162N-4BPG50

1Au 1U*
2Au 3U*
5Au 15U*
6Au 30U*

W/WHITE
B/BLACK
1PBT
2PA6T
3PA9T
4LCP

A1	GND	B12	GND
A4	VBUS	B9	VBUS
A5	CC1	B8	SBU2
A6	D+	B7	D-
A7	D-	B6	D+
A8	SBU1	B5	CC2
A9	VBUS	B4	VBUS
A12	GND	B1	GND
PIN	SIGNAL NAME	PIN	SIGNAL NAME



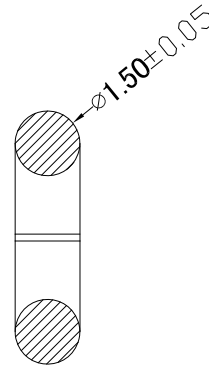
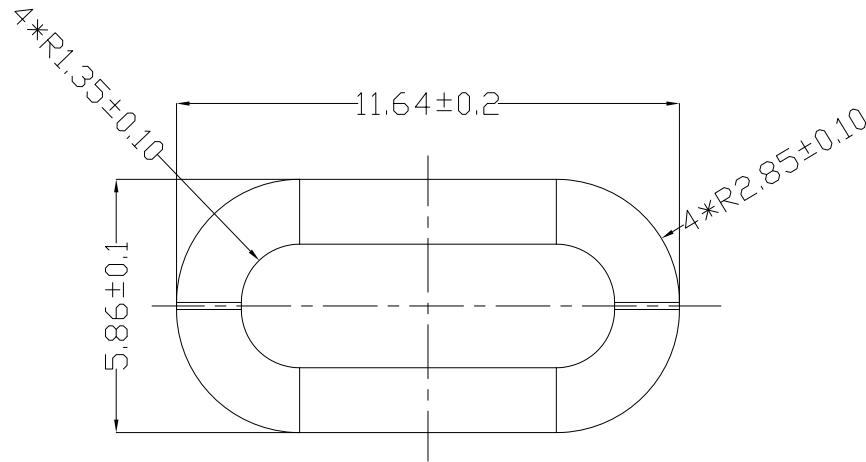
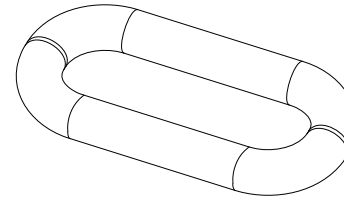
6	COVER	LCP+30%GF	1	UL94V-0	X.	±0.50	X.*	±2'	UNITS	mm	<p align="center">雅安科技有限公司 ACCURATE INNOTECH INC.</p> <p>TITLE: USB TYPE CF 16P 立插H=11.2 防水型</p> <p>PART NO.: UWCF-162N-4BPG50</p> <p>DR: <i>Ricky</i> 2022/08/16</p> <p>CHKD: <i>Ricky</i> 2022/08/16</p> <p>DWG NO.: AII-PG50</p> <p>SCALE: 5:1 SHEET: 1/1 REV.: B CUSTOMER DRAWING</p>
5	SHELL	STAINLESS STEEL	1	PLATED NICKEL	.X	±0.25	X.X'	±1'	MAT'L	SEE NOTE	
4	SHIELDING PLATE	STAINLESS STEEL	1	PLATED GOLD/NICKEL	.XX	±0.15			FINISH	SEE NOTE	
3	CONTACT	COPPER ALLOY	16	PLATED GOLD/NICKEL	.XXX	±0.10			Q'TY	SEE NOTE	
2	SHELL HOUSING	LCP+30%GF	1	UL94V-0	<p>THESE DRAWINGS AND SPECIFICATIONS ARE THE PROPERTY OF ACCURATE INNOTECH INC. AND SHALL NOT BE REPRODUCED, COPIED OR USED IN ANY MANNER WITHOUT THE PRIOR WRITTEN CONSENT OF ACCURATE INNOTECH INC.</p>						
1	HOUSING	LCP+30%GF	1	UL94V-0							
NO	PARTS	MATERIAL	QTY	FINISHING							



RoHS Compliant
2002/95/EC



REV.	ECN.	NO.	APPD.



剖面

说明：

- 1.材质：硅胶
- 2.产品要不可有缩水，起泡、变形、划伤、缺胶、毛刺等外观不良。
- 3.未标注C角为R0.15,毛边0.03MM MAX,
- 4.标示"*"为重点检测尺寸

6					X	±0.25	X*	±2*	UNITS	mm	雅安科技有限公司 ACCURATE INNOTECH INC.				
5					X.X	±0.20	X.X*	±1*	MAT'L						TITLE:
4					X.XX	±0.15			SEE NOTE		DR:	Ricky 2022/08/16		DWG NO.:	AII-XG5XX-01
3									FINISH		CHKD:	Ricky 2022/08/16		SCALE	1:1
2									SEE NOTE		APPD:	SHEET	1/1	REV.	B
1	WATERPROOF RING	SILICONE RUBBER	1	BLACK	THESE DRAWINGS AND SPECIFICATIONS ARE THE PROPERTY OF ACCURATE INNOTECH INC. AND SHALL NOT BE REPRODUCED, COPIED OR USED IN ANY MANNER WITHOUT THE PRIOR WRITTEN CONSENT OF ACCURATE INNOTECH INC.				Q'TY		CUSTOMER DRAWING				
NO	PARTS	MATERIAL	QTY	FINISHING											

