

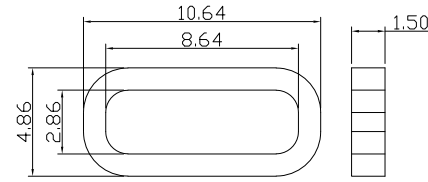
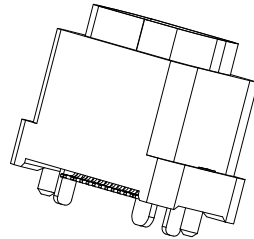
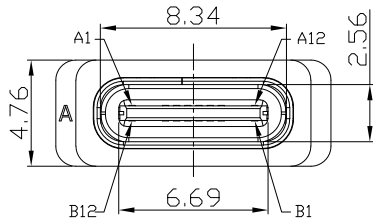


RoHS Compliant
2002/95/EC

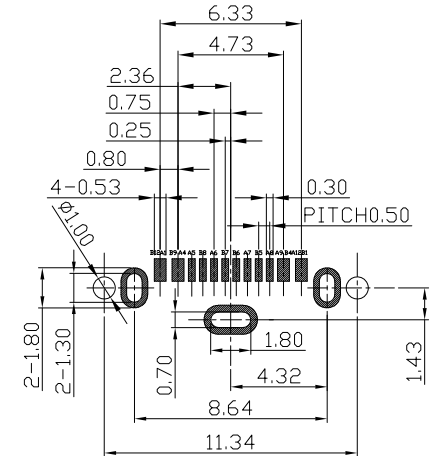
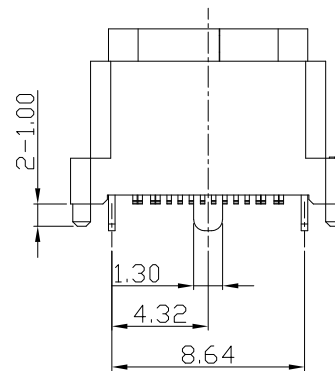
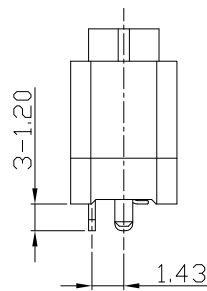
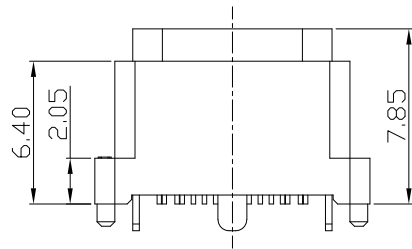


Halogen Free

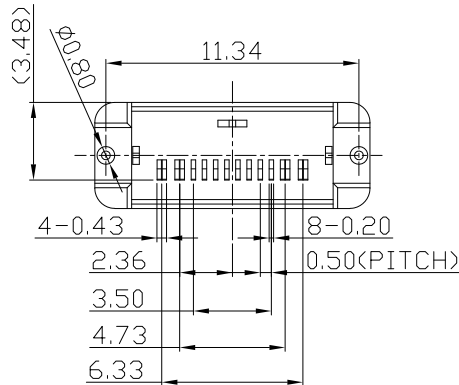
REV.	ECN. NO.	APPD.



建议胶圈尺寸



RECOMMENDED PCB LAYOUT(TOP VIEW)
(GENERAL TOLERANCE±0.05)



A1	GND	B12	GND
A4	VBUS	B9	VBUS
A5	CC1	B8	SBU2
A6	DP1	B7	DN2
A7	DN1	B6	DP2
A8	SBU1	B5	CC2
A9	VBUS	B4	VBUS
A12	GND	B1	GND
PIN	SIGNAL NAME	PIN	SIGNAL NAME

NOTES:

- 1)ELECTRICAL:
 1)CURRENT RATING: 3A
 2)INSULATION RESISTANCE: 100MΩ MIN;
 3)CONTACT RESISTANCE: 40mΩ MAX.(INITIAL);
 4)WITHSTANDING VOLTAGE: 100V AC MIN;
 5)OPERATING TEMPERATURE:-30°C TO +85°C.
- 2)Mechanical:
 1)Mating Force: 5N~20N;
 2)Unmating Force: 6N~20N;
 3)Durability: 10,000 cycles MIN.;
- 3.DIMENSIONS MARKED ▼ TO BE CHECKED BY Q.C & IPQC.

4.PART NO.
UWCF-162N-7BQB11

1:Au 1U*
2:Au 3U*
5:Au 15U*
6:Au 30U*

W:WHITE
B:BLACK

1:PB
2:PA6T
3:PA9T
4:LCP
7:PA10T

Bill of materials:

7	COVER	LCP+30%GF	1	BLACK
6	WATERPROOF RING	SILICONE RUBBER	1	BLACK
5	SHELL	STAINLESS STEEL	1	PLATED NICKEL
4	SHIELDING PLATE	STAINLESS STEEL	1	PLATED NICKEL
3	CONTACT	COPPER ALLOY	1	PLATED GOLD/NICKEL
2	SHELL HOUSING	PA10T+30%GF	16	UL94V-0
1	HOUSING	PA10T+30%GF	1	UL94V-0
NO	PARTS	MATERIAL	QTY	FINISHING

THESE DRAWINGS AND SPECIFICATIONS ARE THE PROPERTY OF ACCURATE INNOTECH AND SHALL NOT BE REPRODUCED, COPIED OR USED IN ANY MANNER WITHOUT THE PRIOR WRITTEN CONSENT OF ACCURATE INNOTECH INC.

x.	±0.50	x.*	±2*	UNITS	mm
.X	±0.30	.X*	±1*	MAT'L	SEE NOTE
.XX	±0.20	.XX*	±0.5*	FINISH	SEE NOTE
.XXX	±0.05			Q'TY	

雅安科技有限公司
ACCURATE INNOTECH INC.

TITLE: USB TYPE CF 16P 单排立贴 H7.85 防水型

PART NO.: UWCF-162N-7BQB11

DR: Ricky 2022/05/10

CHKD: Ricky 2022/05/10

APPD:

DWG NO.: AII-QB11

SCALE	SHEET	REV.	CUSTOMER DRAWING
1:1	1/1	B	