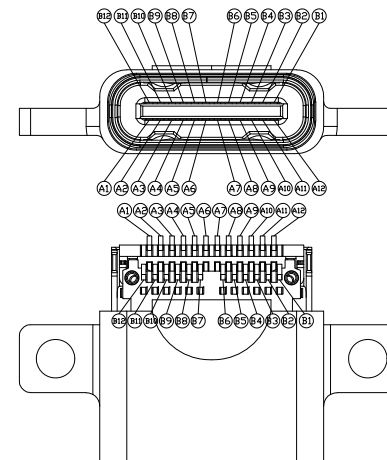
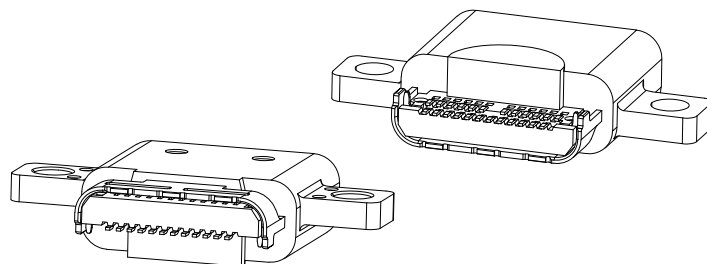
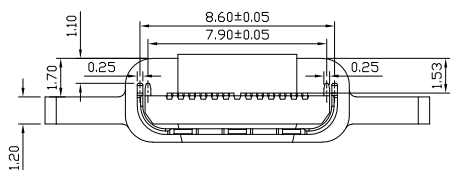


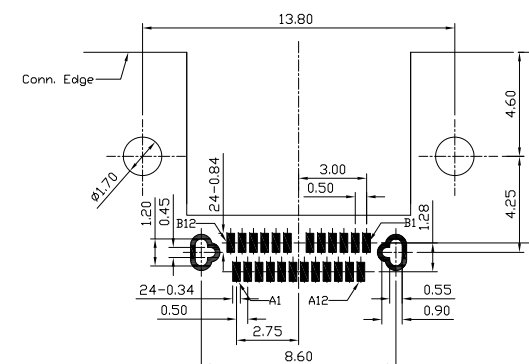
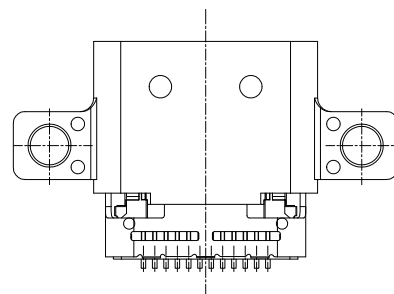
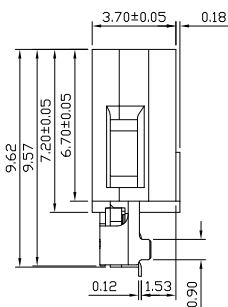
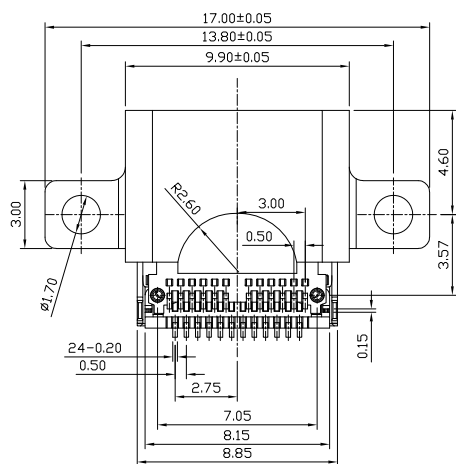


RoHS Compliant  
2002/95/EC



REV.	ECN.	NO.	APPD.

A1	GND	B12	GND
A2	SSTXP1	B11	SSRXP1
A3	SSTXN1	B10	SSRXN1
A4	VBUS	B9	VBUS
A5	CC1	B8	SBU2
A6	DP1	B7	DN2
A7	DN1	B6	DP2
A8	SBU1	B5	CC2
A9	VBUS	B4	VBUS
A10	SSRXN2	B3	SSTXN2
A11	SSRXP2	B2	SSTXP2
A12	GND	B1	GND
PIN	SIGNAL NAME	PIN	SIGNAL NAME



RECOMMENDED PCB LAYOUT(TOP VIEW)  
GENERAL TOLERANCES:±0.05

NOTES:

1.ELECTRICAL:

- 1)CURRENT RATING: 3AMP MAX 30V DC;
- 2)INSULATION RESISTANCE: 100mΩ MIN;
- 3)CONTACT RESISTANCE: INITIAL 40mΩ MAX;
- 4)WITHSTANDING VOLTAGE: 100V AC FOR 1 MINUTE.
- 5)OPERATING TEMPERATURE:-30°C TO +80°C.

2.Mechanical:

- 1)Mating Force: 5N~20N MAX.
- 2)Unmating Force: 8N~20N MIN.
- 3)Durability: ≥8,000 CYCLES.;

3.DIMENSIONS MARKED "▼"

TO BE CHECKED BY Q.C & IPQC.

4.PART NO.

UWCF-241N-3BVG31

W:WHITE  
B:BLACK

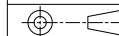
1:Au 1U\*  
2:Au 3U\*  
5:Au 15U\*  
6:Au 30U\*

1:PBT  
2:PA6T  
3:PA9T  
4:LCP

Bill of materials:

NO	PARTS	MATERIAL	QTY	FINISHING						
4	MID PLATE	STAINLESS STEEL	1		X.	±0.50	Angle ±1°	UNITS	mm	雅安科技有限公司 ACCURATE INNOTECH INC. TITLE: USB TYPE CF WATERPROOF 双排24PIN 沉板1.53 PART NO: UWCF-24XN-3BVG31 DR: Ricky 2020/09/03 DWG NO: AII-VG31 CHKD: Ricky 2020/09/03 APPD:
4	PLASTIC SHELL	PA9T+30%GF	1	UL94V-0	X	±0.20		MAT'L		
3	SHELL	STAINLESS STEEL	1	PLATED NICKEL	.XX	±0.10		SEE NOTE		
2	TERMINAL	COPPER ALLOY	24	PLATED GOLD	.XXX	±0.03		FINISH		
1	HOUSING	PA9T+30%GF	1	UL94V-0				SEE NOTE		
								Q'TY		

THESE DRAWINGS AND SPECIFICATIONS ARE THE PROPERTY OF ACCURATE INNOTECH INC AND SHALL NOT BE REPRODUCED, COPIED OR USED IN ANY MANNER WITHOUT THE PRIOR WRITTEN CONSENT OF ACCURATE INNOTECH INC.



SCALE	SHEET	REV.	CUSTOMER DRAWING
1:1	1/1	B	