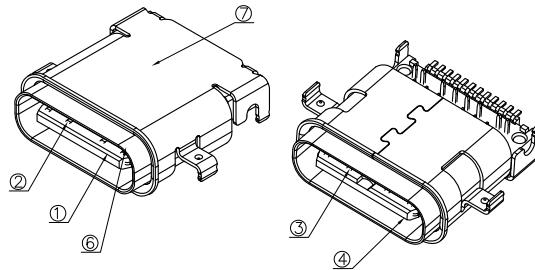
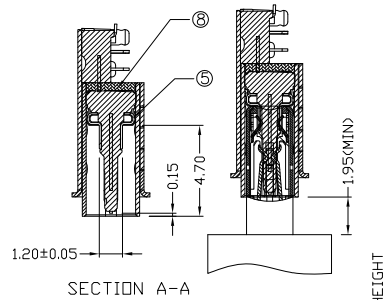
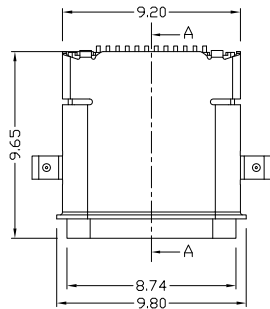


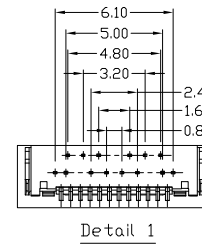
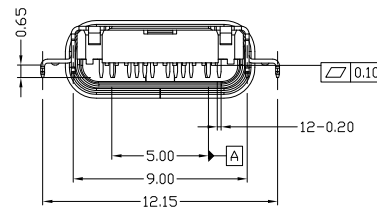
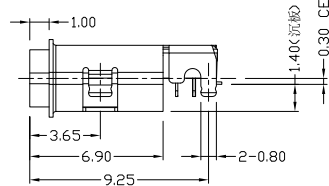
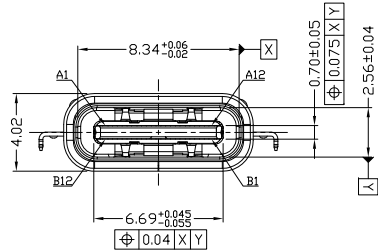
RoHS Compliant
2002/95/EC
Halogen Free



REV.	ECN.	NO.	APPD.

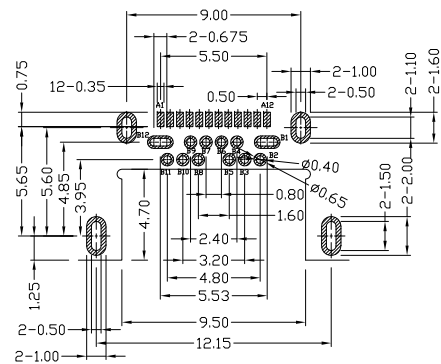
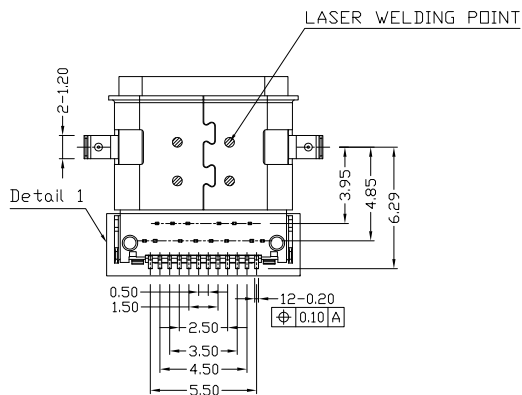


Pin	Signal Name	Mating Sequence	Pin	Signal Name	Mating Sequence
A1	GND	First	B12	GND	First
A2	SSTXp1	Second	B11	SSRXp1	Second
A3	SSTXn1	Second	B10	SSRXn1	Second
A4	Vbus	First	B9	Vbus	First
A5	CC1	Second	B8	SBU2	Second
A6	Dp1	Second	B7	Dn2	Second
A7	Dn1	Second	B6	Dp2	Second
A8	SBU1	Second	B5	CC2	Second
A9	Vbus	First	B4	Vbus	First
A10	SSRXn2	Second	B3	SSTXn2	Second
A11	SSRXp2	Second	B2	SSTXp2	Second
A12	GND	First	B1	GND	First
SHELL	GND		SHELL	GND	

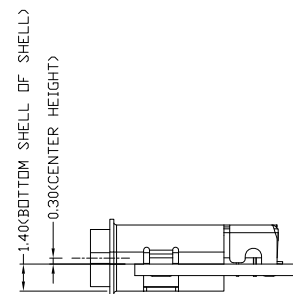


UWCF-245N-5BVJ40

- 1Au 1U*
- 2Au 3U*
- 5Au 15U*
- 6Au 30U*
- W-WHITE
- B-BLACK
- 1PBT
- 2PA6T
- 3PA9T
- 4LCP
- 5PA46



RECOMMENDED P.C.B LAYOUT(Both sides are sample)
Tolerance:±0.05, Thickness=0.60mm



- NOTES:
- ELECTRICAL:
 - CURRENT RATING: 5A(VBUS PIN 1.5A/PIN), 5A(GND PIN 1.25A/PIN MAX), 0.25A/PIN(OTHER PIN).
 - INSULATION RESISTANCE: 100MΩ MIN 250V DC;
 - CONTACT RESISTANCE: INITIAL 40mΩ MAX; AFTER 50mΩ MAX;
 - WITHSTANDING VOLTAGE: 100V AC MIN;
 - OPERATING TEMPERATURE: -40°C TO +80°C.
 - Mechanical:
 - Mating Force: 5N~20N MAX.
 - Unmating Force: 8N~20N(INITIAL) 6N~20N(AFTER 10000 CYCLES) MIN.
 - Durability: 10,000 MATING CYCLES;
 - DIMENSIONS MARKED "▼" TO BE CHECKED BY Q.C & IPQC.

Bill of materials:

NO	PARTS	MATERIAL	QTY	FINISHING	X. ±0.35	X.' ±2'	UNITS	mm
8	GLUE	EPOXY	1	BLACK				
7	SHELL-2	STAINLESS STEEL	1	PLATED NICKEL	.X ±0.35	.X' ±2'		
6	SHELL-1	STAINLESS STEEL	1	PLATED NICKEL	.X ±0.30	.X' ±1'		
5	GND PLATE	STAINLESS STEEL	1	PLATED NICKEL	.XX ±0.25	.XX'		
4	MID PLATE	STAINLESS STEEL	1	PLATED GOLD	.XXX ±0.15	.XXX'		
3	TERMINAL-B	COPPER ALLOY	12	PLATED GOLD				
2	TERMINAL-A	COPPER ALLOY	12	PLATED GOLD				
1	HOUSING	PA46+30%GF	1	UL94V-0				
NO	PARTS	MATERIAL	QTY	FINISHING				

THESE DRAWINGS AND SPECIFICATIONS ARE THE PROPERTY OF ACCURATE INNOTECH INC AND SHALL NOT BE REPRODUCED, COPIED OR USED IN ANY MANNER WITHOUT THE PRIOR WRITTEN CONSENT OF ACCURATE INNOTECH INC.

雅安科技有限公司
ACCURATE INNOTECH INC.

TITLE: USB 3.1 CF WATERPROOF CL=0.30 沉板1.40mm DIP TYPE

PART NO.: UWCF-245N-5BVJ40

DR: Ricky 2018/11/19

DWG NO.: AII-VJ40

CHKD: Ricky 2018/11/19

APPD:

SCALE: 1:1 SHEET: 1/2 REV: B CUSTOMER DRAWING



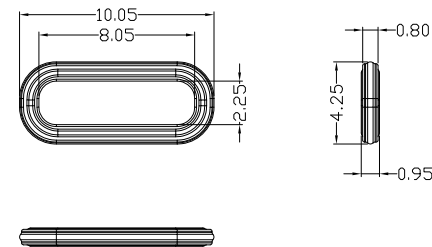
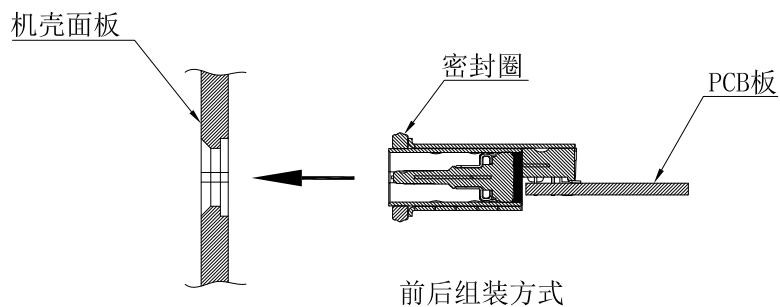
RoHS Compliant
2002/95/EC



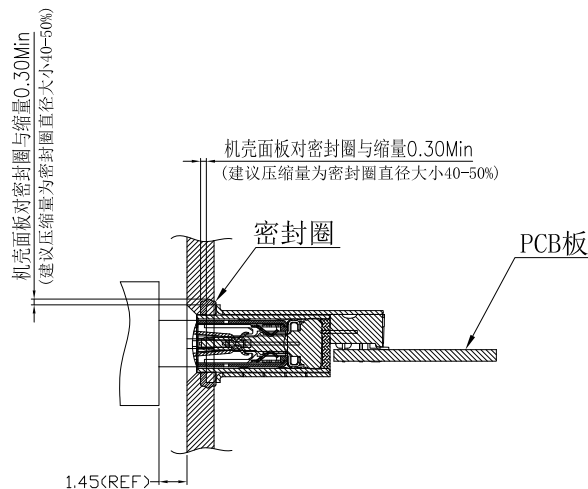
Halogen Free

REV.	ECN.	NO.	APPD.

建议密封方式



建议防水圈规格 (材质硅橡胶)



组装面板后公母头对插示意图

Bill of materials:

NO	PARTS	MATERIAL	QTY	FINISHING	X. ±0.35	X.' ±2'	UNITS	雅安科技有限公司 ACCURATE INNOTECH INC.			
1	WATERPROOF RING	硅橡胶	1	BLACK	.X ±0.30	.X' ±1'	mm	TITLE: USB 3.1 CF WATERPROOF CI=0.30沉板 1.40mm DIP TYPE WATERPROOF RING		PART NO.: UWCF-245N-5BVJ40-WR	
					.XX ±0.25	.XX'	SEE NOTE	DR: Ricky 2018/11/19		DWG NO.: AII-VJ40-WR	
					.XXX ±0.15	.XXX'	SEE NOTE	CHKD: Ricky 2018/11/19		SCALE SHEET REV. CUSTOMER 1:1 2/2 B DRAWING	
					<small>THESE DRAWINGS AND SPECIFICATIONS ARE THE PROPERTY OF ACCURATE INNOTECH INC AND SHALL NOT BE REPRODUCED, COPIED OR USED IN ANY MANNER WITHOUT THE PRIOR WRITTEN CONSENT OF ACCURATE INNOTECH INC.</small>			APPD:			