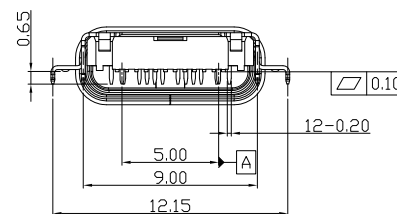
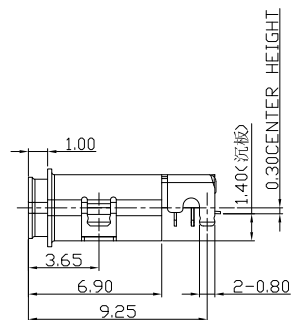
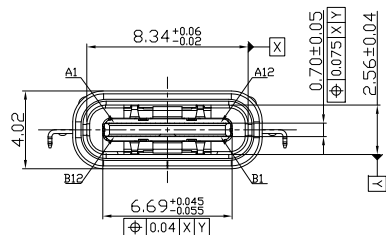
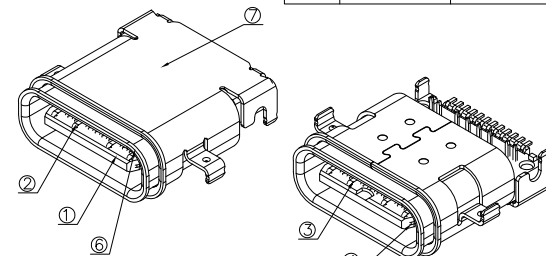
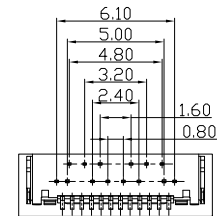
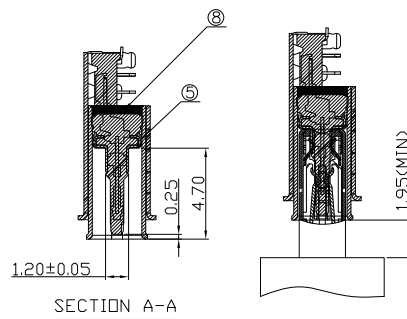
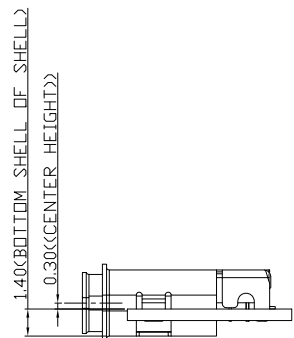
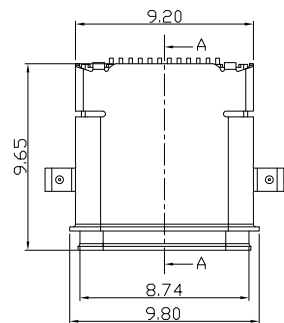


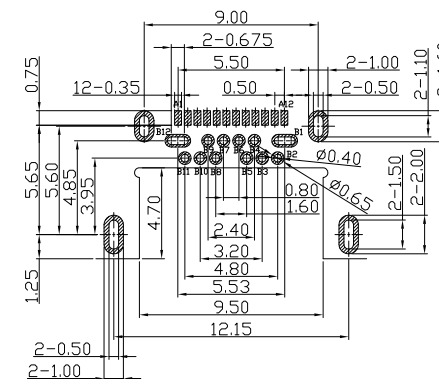
RoHS Compliant
2002/95/EC
Halogen Free



REV.	ECN.	NO.	APPD.

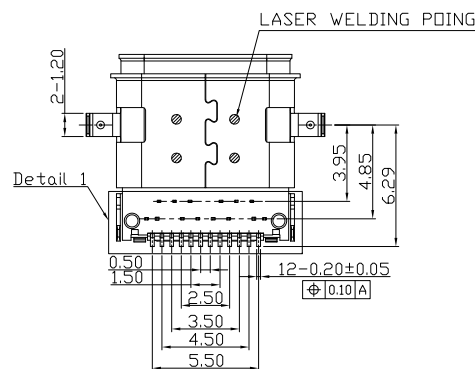


Detail 1



RECOMMENDED P.C.B LAYOUT(Both sides are sample)

Tolerance:±0.05,Thickness=0.60mm



Pin	Signal Name	Mating Sequence	Pin	Signal Name	Mating Sequence
A1	GND	First	B12	GND	First
A2	SSTXp1	Second	B11	SSRXp1	Second
A3	SSTXn1	Second	B10	SSRXn1	Second
A4	V _{bus}	First	B9	V _{bus}	First
A5	CC1	Second	B8	SBU2	Second
A6	Dp1	Second	B7	Dn2	Second
A7	Dn1	Second	B6	Dp2	Second
A8	SBU1	Second	B5	CC2	Second
A9	V _{bus}	First	B4	V _{bus}	First
A10	SSRXn2	Second	B3	SSTXn2	Second
A11	SSRXp2	Second	B2	SSTXp2	Second
A12	GND	First	B1	GND	First
SHELL	GND		SHELL	GND	

1.ELECTRICAL:

- CURRENT RATING: 5A<V_{BUS} PIN AND GND PIN 1.25A/PIN>, 0.25A/PIN<OTHER PIN>.
- INSULATION RESISTANCE: 100MΩ MIN 250V DC;
- CONTACT RESISTANCE: INITIAL 40mΩ MAX; AFTER 50mΩ MAX;
- WITHSTANDING VOLTAGE: 100V AC MIN;
- OPERATING TEMPERATURE:-40°C TO +80°C.

2.Mechanical:

- Mating Force: 5N~20N MAX.
- Unmating Force: 8N~20N<INITIAL> 6N~20N<AFTER 10000 CYCLES> MIN.
- Durability: 10,000 MATING CYCLES.;

3.DIMENSIONS MARKED "▼"
TO BE CHECKED BY Q.C & IPQC.

4.PART NO.

UWCF-245N-5BVJ42

1#Au 1U'
2#Au 3U'
5#Au 15U'
6#Au 30U'
1#PBT
2#PA6T
3#PA9T
4#LCP
5#PA46

Bill of materials:

NO	PARTS	MATERIAL	QTY	FINISHING
8	GLUE WATER	EPOXY	1	BLACK
7	SHELL-2	STAINLESS STEEL	1	PLATED NICKEL
6	SHELL-1	STAINLESS STEEL	1	PLATED NICKEL
5	GND PLATE	STAINLESS STEEL	1	PLATED NICKEL
4	MID PLATE	STAINLESS STEEL	1	
3	TERMINAL-B	COPPER ALLOY	12	PLATED GOLD
2	TERMINAL-A	COPPER ALLOY	12	PLATED GOLD
1	HOUSING	PA46+30%GF	1	UL94V-0
NO	PARTS	MATERIAL	QTY	FINISHING

			UNITS	
x.	±0.38	.x'	±1'	mm
.x	±0.30	.xx'	±3'	MAT'L
.xx	±0.20	.xxx'	±5'	SEE NOTE
.xxx	±0.10			FINISH
				SEE NOTE
				Q'TY

		DR: Ricky 2020/03/23
		CHKD: Ricky 2020/03/23
		APPD:

雅安科技有限公司 ACCURATE INNOTECH INC.			
TITLE: USB 3.1 CF WATERPROOF CL=0.30 沉板1.40mm DIP TYPE 喇叭口	PART NO.: UWCF-24XN-5BVJ42		
DR: Ricky 2020/03/23	DWG NO.: AII-VJ42		
CHKD: Ricky 2020/03/23	SCALE: 1:1	SHEET: 1/2	REV. B
APPD:	CUSTOMER DRAWING		

THESE DRAWINGS AND SPECIFICATIONS ARE THE PROPERTY OF ACCURATE INNOTECH INC AND SHALL NOT BE REPRODUCED, COPIED OR USED IN ANY MANNER WITHOUT THE PRIOR WRITTEN CONSENT OF ACCURATE INNOTECH INC.



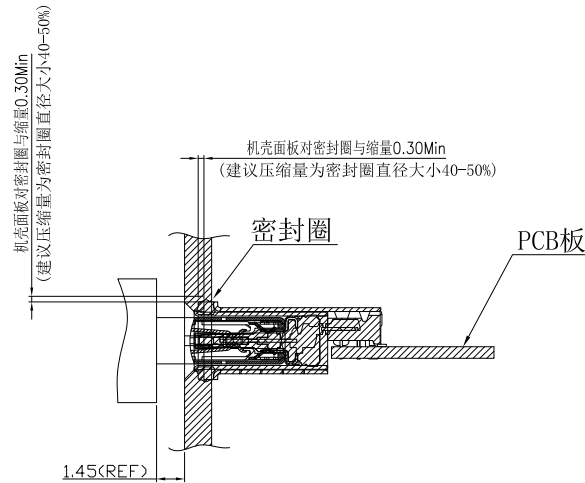
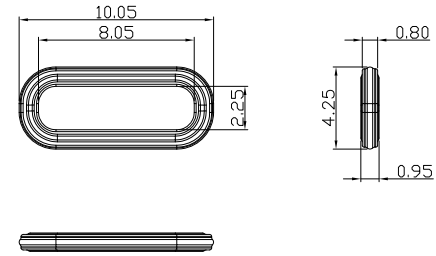
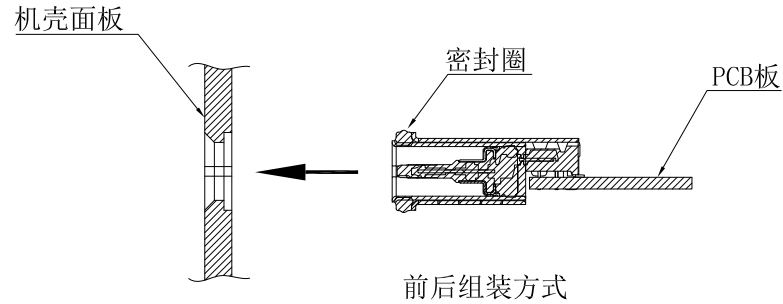
RoHS Compliant
2002/95/EC



Halogen Free

REV.	ECN.	NO.	APPD.

建议密封方式



组装面板后公母头对插示意图

Bill of materials:

					X. ±0.38	.X* ±1*	UNITS	雅安科技有限公司 ACCURATE INNOTECH INC.					
					.X ±0.30	.XX* ±3*	mm	TITLE: USB 3.1 CF WATERPROOF CL=0.30 沉板 1.40mm DIP TYPE 喇叭口 组装防水圈					
					.XX ±0.20	.XXX* ±5*	MAT'L	PART NO.: UWCF-24XN-5BVJ42-WR					
					.XXX ±0.10		SEE NOTE	DR: Ricky 2020/03/23					
							FINISH	DWG NO.: AII-VJ42-WR					
							SEE NOTE	CHKD: Ricky 2020/03/23					
1	WATERPROOF RING	EPOXY	1	BLACK	THESE DRAWINGS AND SPECIFICATIONS ARE THE PROPERTY OF ACCURATE INNOTECH INC AND SHALL NOT BE REPRODUCED, COPIED OR USED IN ANY MANNER WITHOUT THE PRIOR WRITTEN CONSENT OF ACCURATE INNOTECH INC.			APPD:		SCALE	SHEET	REV.	CUSTOMER
NO	PARTS	MATERIAL	QTY	FINISHING				1:1		2/2	B	DRAWING	