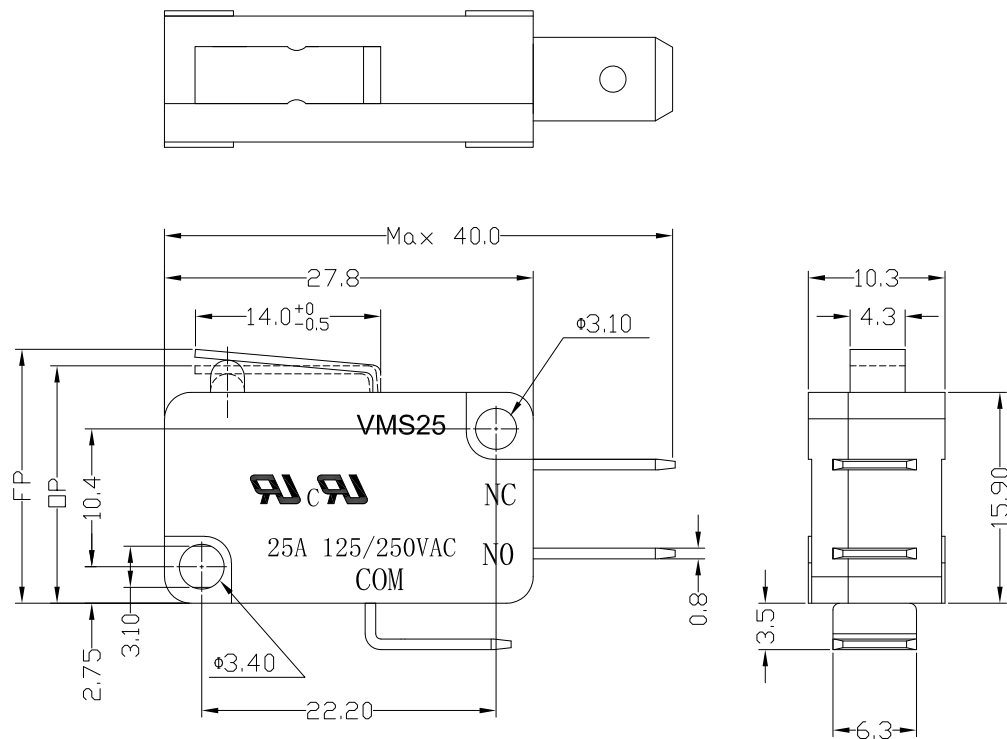




RoHS
Compliant
2002/95/EC

REV.	ECN. NO.	APPD.

DIMENSIONS

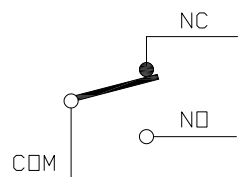


MODEL CODE

VMS 25-01 X- XX-V25

1 2 3 4 5 6

- 1.Series : VMS
- 2.Current Rating : 25=25A 125/250VAC
- 3.Actuator : 00=Non-lever 01-99=Lever
- 4.Termination : see chart (N/M/K/A)
(7=SPST-NO / 16=SPST-NC)
- 5.Operating Force : see chart
- 6.Contact type: V25=25Amps Contact



CIRCUIT DIAGRAM

1.Functional spec

1.1 Rated Voltage(AC)	125/250VAC
1.2 Rated Current(AC)	25A
1.3 Contact Resistance	≤100mΩ(Initial value)
1.4 Operating Force	350±100gf
1.5 Bounce Time	
1.6 Free Position	19.6±1.0mm
1.7 Operating Position	17.5±1.0mm
1.8 Position Travel	
1.9 Return Force	

2.Reliable Rating

2.1 Mechanical Life	1,000,000 CYCLES
2.2 Electrical Life	10,000 CYCLES
2.3 Insulation Resistance	≥100MΩ DC500V
2.4 Withstand Voltage	AC1500V 1 minute
2.5 Soldering Technic	Hand Soldering
2.6 Operating Temper	-25°C ~ +85°C
2.7 Ambient Humidity Used	<70%RH

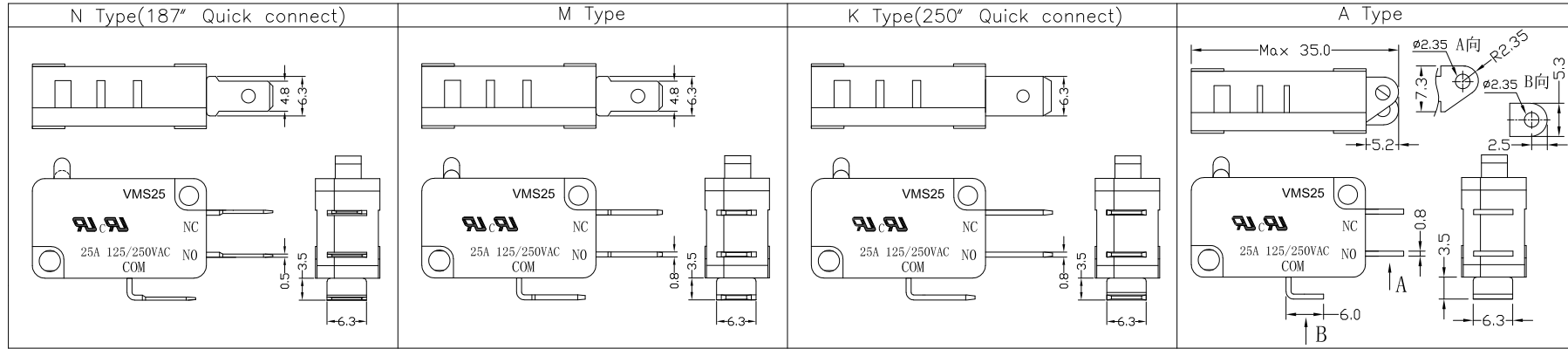
Tolerance: ±0.2	UNITS mm	雅安科技有限公司 ACCURATE INNOTECH INC.			
	MAT'L	TITLE: MICRO SWITCH VMS25 SERIES		PART NO: VMS25-01K-XX-V25	
	SEE NOTE	DR: Ricky 2025/02/24		DWG NO: ATD-01X-XX-V25	
	FINISH	CHKD: Ricky 2025/02/24		SCALE SHEET REV. CUSTOMER	
	SEE NOTE	APPD:		1:1 1/2 A DRAWING	
THESE DRAWINGS AND SPECIFICATIONS ARE THE PROPERTY OF ACCURATE INNOTECH INC AND SHALL NOT BE REPRODUCED, COPIED OR USED IN ANY MANNER WITHOUT THE PRIOR WRITTEN CONSENT OF ACCURATE INNOTECH INC.					



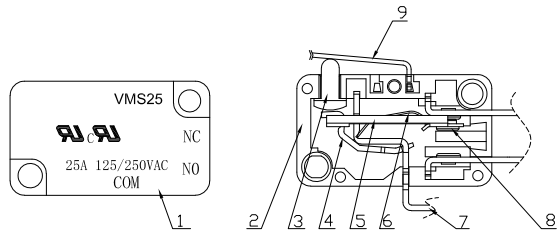
RoHS
Compliant
2002/95/EC

REV.	ECN.	NO.	APPD.

Terminal Type



Structure chart



Material list

NO.	PARTS	MATERIAL	Q'TY	FINISHING	UNITS	mm	TITLE:	PART NO.:
9	Lever	SUS301	1		Tolerance:±0.2	mm	雅安科技有限公司 ACCURATE INNOTECH INC.	VMS25-01X-XX-V25
8	Contact	Silver alloy	3					
7	Terminal	C2680	3					
6	Spring Plate	C5210	1		SEE NOTE		MICRO SWITCH VM25 SERIES	
5	Change Plate	C2680	1		SEE NOTE		DR: <i>Ricky</i> 2025/02/24	DWG NO.: ATD-01X-XX-V25
4	Fixed Rod	C2680	1		SEE NOTE		CHKD: <i>Ricky</i> 2025/02/24	
3	Button	PBT	1		Q'TY		APPD:	SCALE SHEET REV. CUSTOMER
2	Lower Housing	PBT	1					1:1 2/2 A DRAWING
1	Upper Housing	PBT	1					

THESE DRAWINGS AND SPECIFICATIONS ARE THE PROPERTY OF ACCURATE INNOTECH INC AND SHALL NOT BE REPRODUCED, COPIED OR USED IN ANY MANNER WITHOUT THE PRIOR WRITTEN CONSENT OF ACCURATE INNOTECH INC.

