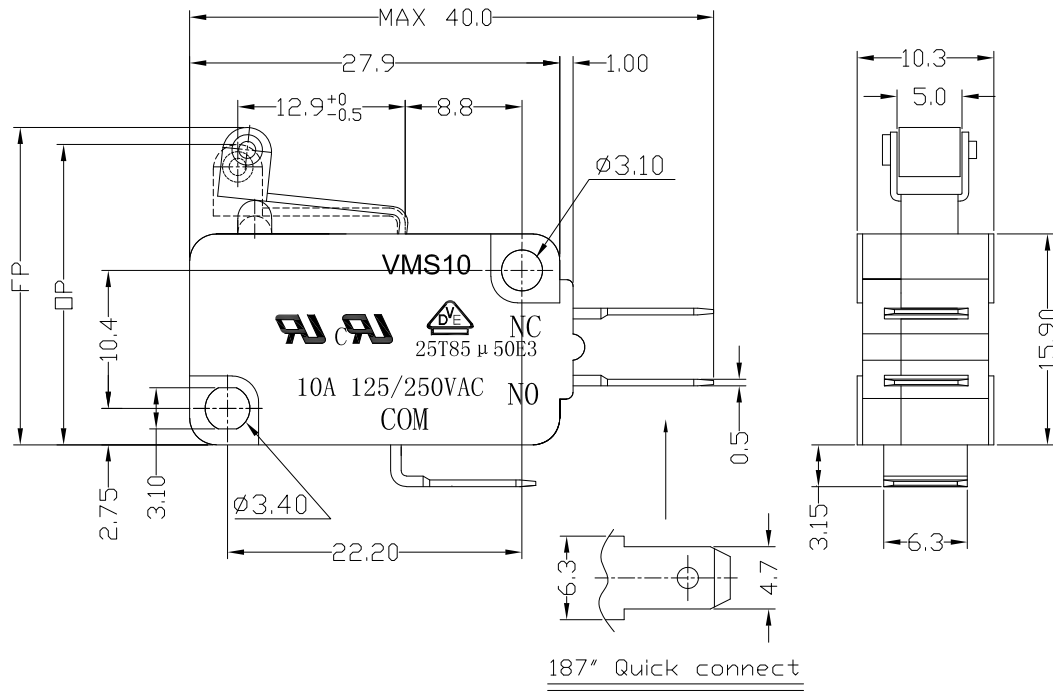




RoHS
Compliant
2002/95/EC

REV.	ECN.	NO.	APPD.

DIMENSIONS

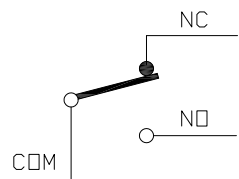


MODEL CODE

VMS 10-05 X-XX-V10

1 2 3 4 5 6

- 1.Series : VMS
- 2.Current Rating : 10=10A 125/250VAC
- 3.Actuator : 00=Non-lever 01-99=Lever
- 4.Termination : see chart (N/K/J/L/W/A)
(7=SPST-NO / 16=SPST-NC)
- 5.Operating Force : see chart
- 6.Contact type: V10=10Amps Contact



CIRCUIT DIAGRAM

1.Functional spec

1.1 Rated Voltage(AC)	125/250VAC	
1.2 Rated Current(AC)	10A	
1.3 Contact Resistance	≤100mΩ(Initial value)	
1.4 Operating Force	160±40gf	250±50gf
1.5 Bounce Time		
1.6 Free Position	24.5±1.0mm	
1.7 Operating Position	23.5±1.0mm	
1.8 Position Travel		
1.9 Return Force		

2.Reliable Rating

2.1 Mechanical Life	1,000,000 CYCLES
2.2 Electrical Life	10,000 CYCLES
2.3 Insulation Resistance	≥100MΩ DC500V
2.4 Withstand Voltage	AC1500V 1 minute
2.5 Soldering Technic	Hand Soldering
2.6 Operating Temper	-25°C ~ +85°C
2.7 Ambient Humidity Used	<85%RH

Tolerance:±0.2	UNITS	雅安科技有限公司 ACCURATE INNOTECH INC.			
	mm				
	MAT'L	TITLE:		PART NO.:	
	SEE NOTE	MICRO SWITCH VMS10 SERIES		VMS10-05N-XX-V10	
	FINISH	DR: <i>Ricky</i> 2017/6/7		DWG NO.:	
	SEE NOTE	CHKD: <i>Ricky</i> 2017/6/7		ATD-05X-XX-V10	
	Q'TY	APPD:		SCALE	SHEET
				1:1	1/2
				REV.	CUSTOMER
				A	DRAWING

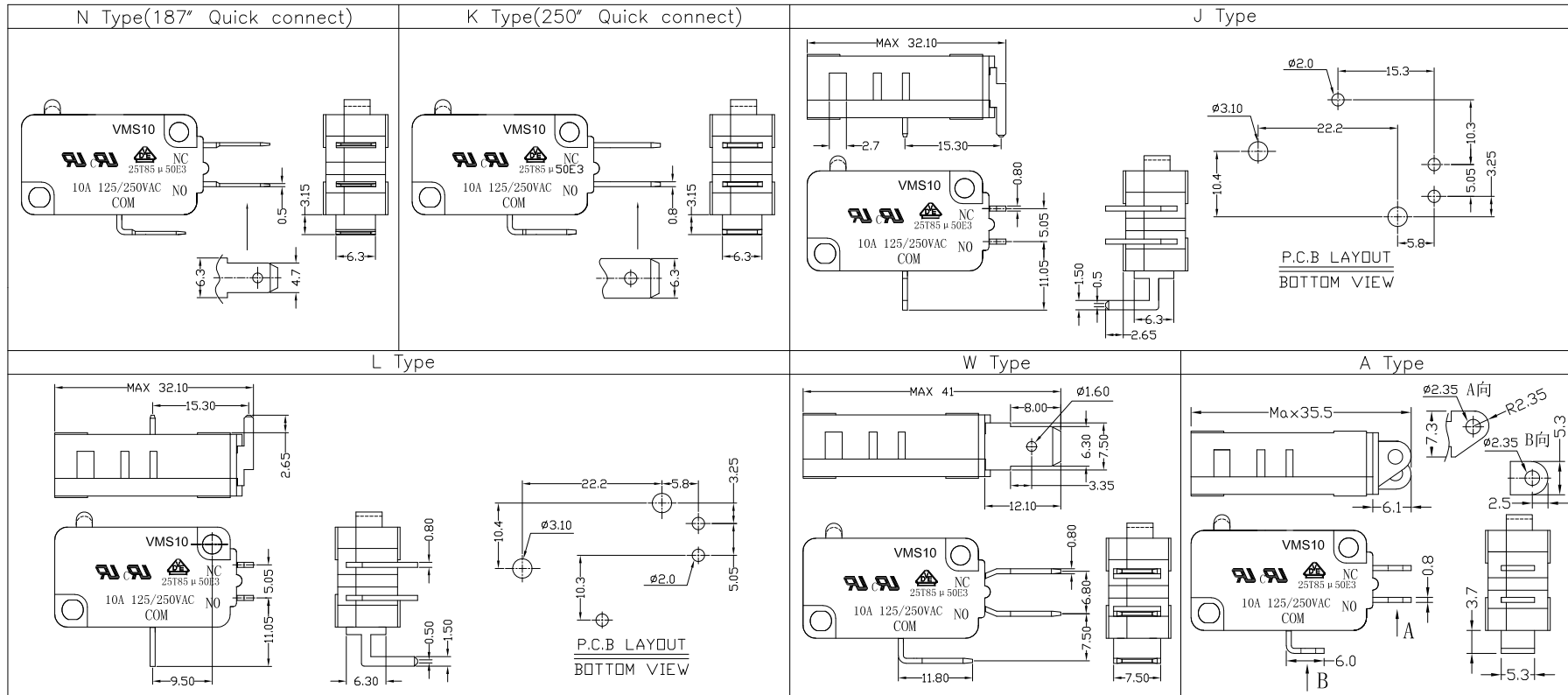
THESE DRAWINGS AND SPECIFICATIONS ARE THE PROPERTY OF ACCURATE INNOTECH INC AND SHALL NOT BE REPRODUCED, COPIED OR USED IN ANY MANNER WITHOUT THE PRIOR WRITTEN CONSENT OF ACCURATE INNOTECH INC.



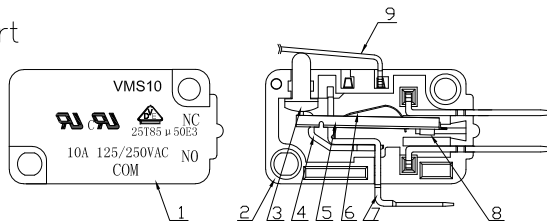
RoHS Compliant
2002/95/EC

REV.	ECN.	NO.	APPD.

Terminal Type



Structure chart



Material list

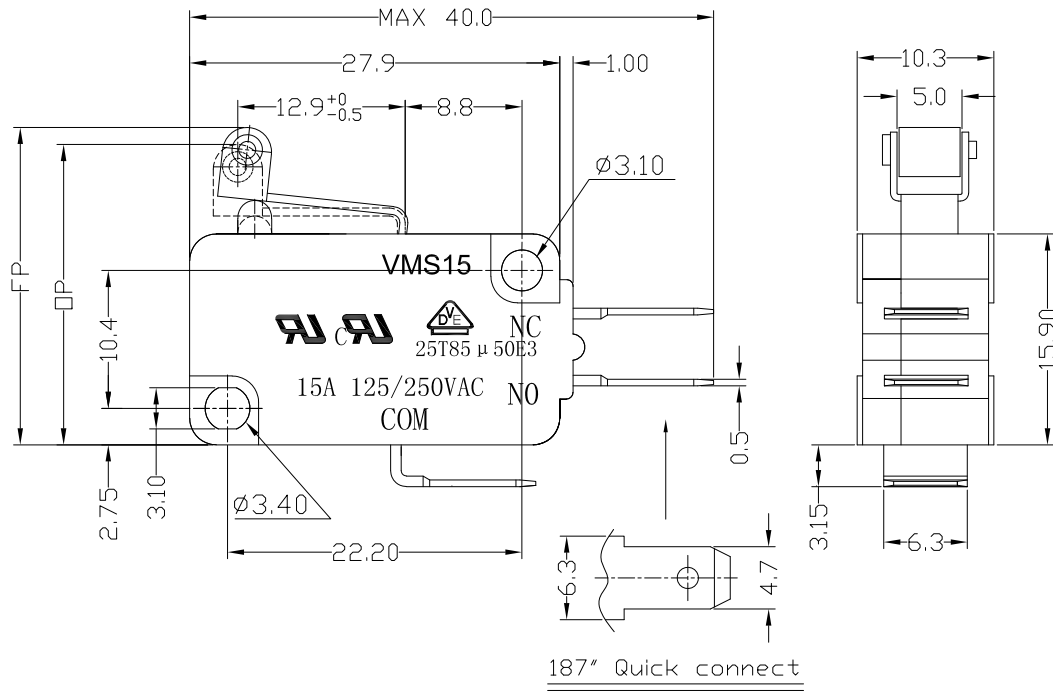
NO.	PARTS	MATERIAL	Q'TY	FINISHING	Tolerance:±0.2	UNITS	雅安科技有限公司 ACCURATE INNOTECH INC.					
9	Lever	SUS301	1		mm	SEE NOTE	TITLE:		PART NO.:			
8	Contact	Silver alloy	3				MICRO SWITCH VM10 SERIES		VMS10-05X-XX-V10			
7	Terminal	C2680	3	Silver Plating	SEE NOTE	FINISH	DR: <i>Ricky</i> 2017/6/7		DWG NO.:			
6	Spring Plate	C5210	1				ATD-05X-XX-V10					
5	Change Plate	C2680	1		SEE NOTE	Q'TY	CHKD: <i>Ricky</i> 2017/6/7					
4	Fixed Rod	C2680	1									
3	Button	PBT	1	Gray	SEE NOTE	Q'TY	APPD:					
2	Lower Housing	PBT	1	Black								
1	Upper Housing	PBT	1	Black								
NO.	PARTS	MATERIAL	Q'TY	FINISHING	<small>THESE DRAWINGS AND SPECIFICATIONS ARE THE PROPERTY OF ACCURATE INNOTECH INC AND SHALL NOT BE REPRODUCED, COPIED OR USED IN ANY MANNER WITHOUT THE PRIOR WRITTEN CONSENT OF ACCURATE INNOTECH INC.</small>				SCALE	SHEET	REV.	CUSTOMER DRAWING
							11	2/2	A			



RoHS Compliant
2002/95/EC

REV.	ECN.	NO.	APPD.

DIMENSIONS

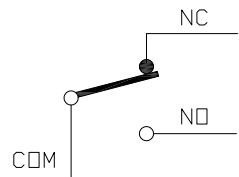


MODEL CODE

VMS 15-05 X- XX-V15

1 2 3 4 5 6

- Series : VMS
- Current Rating : 15=15A 125/250VAC
- Actuator : 00=Non-lever 01-99=Lever
- Termination : see chart (N/K/J/L/W/A)
(7=SPST-NO / 16=SPST-NC)
- Operating Force : see chart
- Contact type: V15=15Amps Contact



CIRCUIT DIAGRAM

1.Functional spec

1.1 Rated Voltage(AC)	125/250VAC	
1.2 Rated Current(AC)	15A	
1.3 Contact Resistance	≤100mΩ(Initial value)	
1.4 Operating Force	160±40gf	250±50gf
1.5 Bounce Time		
1.6 Free Position	24.5±1.0mm	
1.7 Operating Position	23.5±1.0mm	
1.8 Position Travel		
1.9 Return Force		

2.Reliable Rating

2.1 Mechanical Life	1,000,000 CYCLES
2.2 Electrical Life	10,000 CYCLES
2.3 Insulation Resistance	≥100MΩ DC500V
2.4 Withstand Voltage	AC1500V 1 minute
2.5 Soldering Technic	Hand Soldering
2.6 Operating Temper	-25°C ~ +85°C
2.7 Ambient Humidity Used	<85%RH

Tolerance:±0.2	UNITS	雅安科技有限公司 ACCURATE INNOTECH INC.			
	mm				
	MAT'L	TITLE:		PART NO.:	
	SEE NOTE	MICRO SWITCH VMS15 SERIES		VMS15-05N-XX-V15	
	FINISH	DR: <i>Ricky</i> 2017/6/8		DWG NO.:	
	SEE NOTE	CHKD: <i>Ricky</i> 2017/6/8		ATD-05X-XX-V15	
	Q'TY	APPD:		SCALE	SHEET
				1:1	1/2
				REV.	CUSTOMER
				A	DRAWING

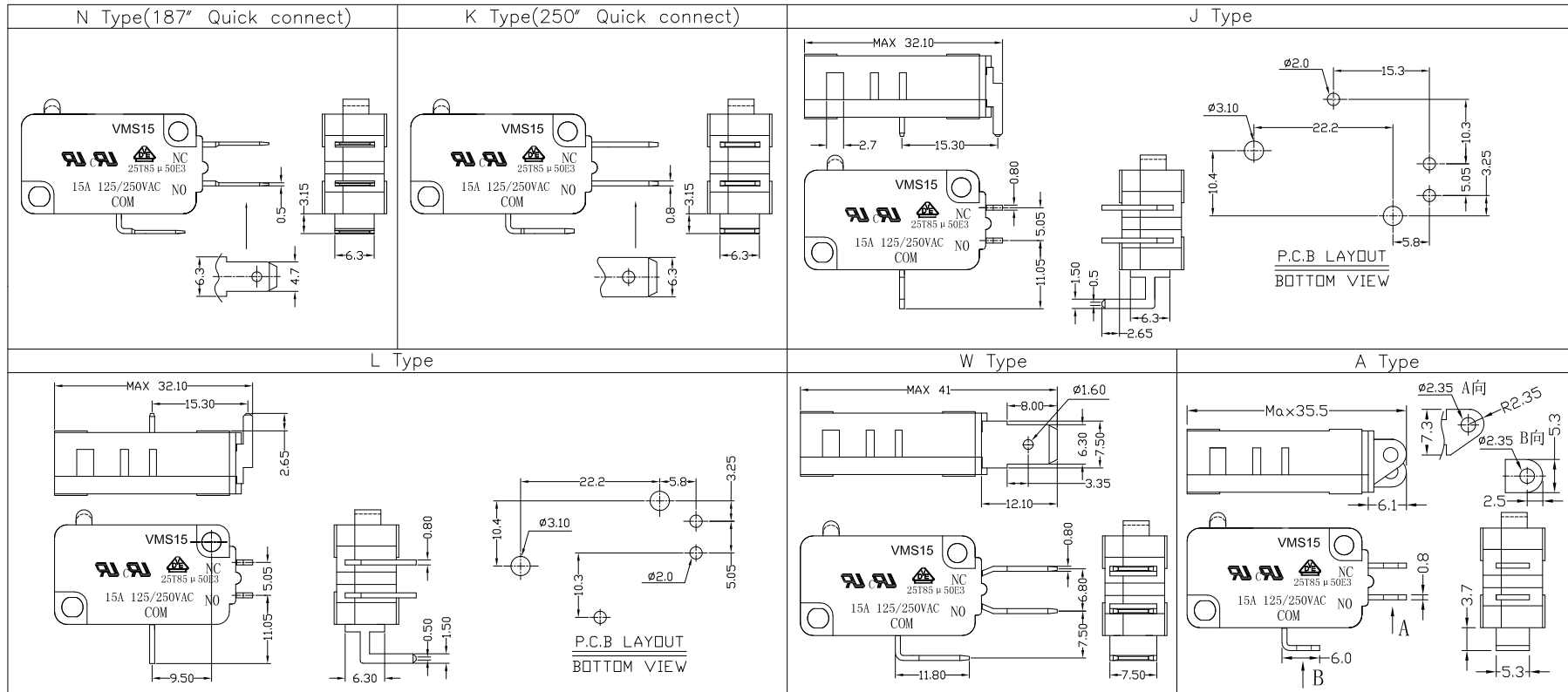
THESE DRAWINGS AND SPECIFICATIONS ARE THE PROPERTY OF ACCURATE INNOTECH INC AND SHALL NOT BE REPRODUCED, COPIED OR USED IN ANY MANNER WITHOUT THE PRIOR WRITTEN CONSENT OF ACCURATE INNOTECH INC.



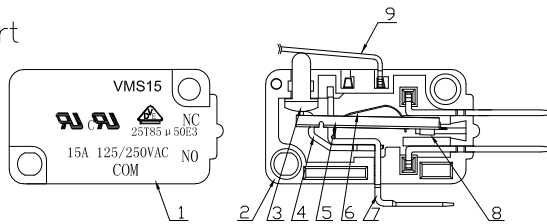
RoHS Compliant
2002/95/EC

REV.	ECN.	NO.	APPD.

Terminal Type



Structure chart



Material list

NO.	PARTS	MATERIAL	Q'TY	FINISHING
9	Lever	SUS301	1	
8	Contact	Silver alloy	3	
7	Terminal	C2680	3	Silver Plating
6	Spring Plate	C5210	1	
5	Change Plate	C2680	1	
4	Fixed Rod	C2680	1	
3	Button	PBT	1	Gray
2	Lower Housing	PBT	1	Black
1	Upper Housing	PBT	1	Black
NO.	PARTS	MATERIAL	Q'TY	FINISHING

Tolerance: ±0.2	UNITS mm
	MAT'L
	SEE NOTE
	FINISH
	SEE NOTE
	Q'TY

THESE DRAWINGS AND SPECIFICATIONS ARE THE PROPERTY OF ACCURATE INNOTECH INC AND SHALL NOT BE REPRODUCED, COPIED OR USED IN ANY MANNER WITHOUT THE PRIOR WRITTEN CONSENT OF ACCURATE INNOTECH INC.

雅安科技有限公司 ACCURATE INNOTECH INC.			
TITLE:	PART NO.:		
MICRO SWITCH VM15 SERIES	VMS15-05X-XX-V15		
DR: Ricky 2017/6/8	DWG NO.:		
CHKD: Ricky 2017/6/8	ATD-05X-XX-V15		
APPD:	SCALE	SHEET	REV. CUSTOMER DRAWING
	1:1	2/2	A