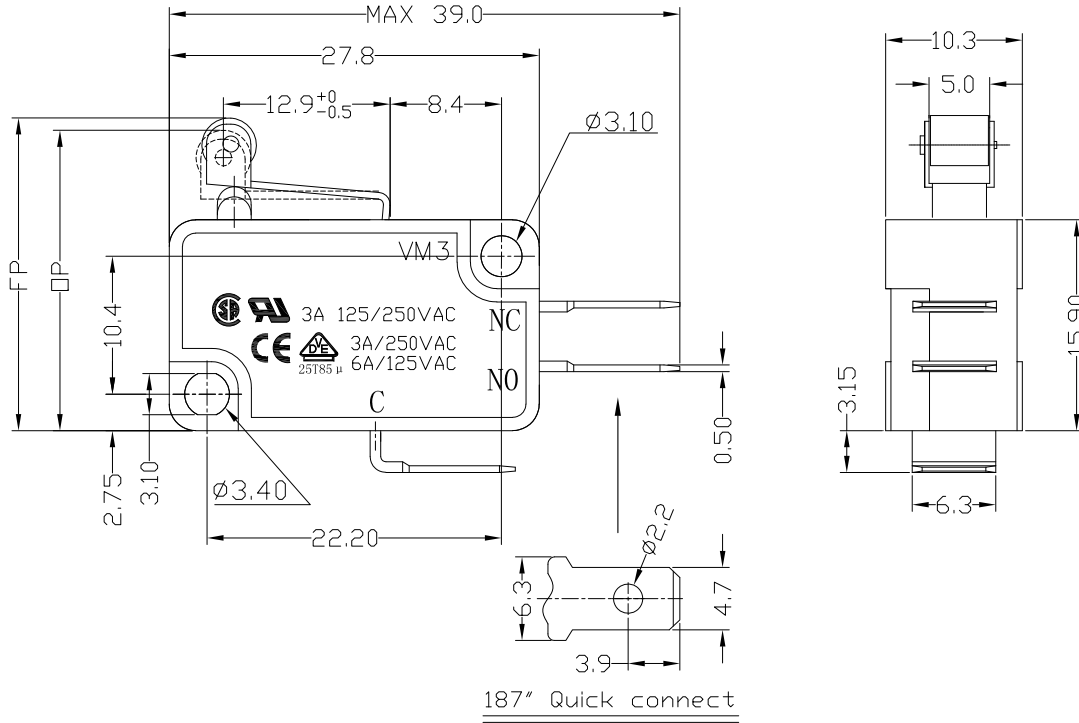




RoHS Compliant
2002/95/EC

| REV. | ECN. | NO. | APPD. |
|------|------|-----|-------|
| | | | |
| | | | |
| | | | |

DIMENSIONS



1.Functional spec

| | |
|------------------------|--------------------------------|
| 1.1 Rated Voltage(AC) | 125/250VAC |
| 1.2 Rated Current(AC) | 3A |
| 1.3 Contact Resistance | ≤100mΩ(Initial value) |
| 1.4 Operating Force | 110±30gf 160±40gf 250±50gf |
| 1.5 Bounce Time | |
| 1.6 Free Position | 24.5±1.0mm |
| 1.7 Operating Position | 23.5±1.0mm |
| 1.8 Position Travel | |
| 1.9 Return Force | |

2.Reliable Rating

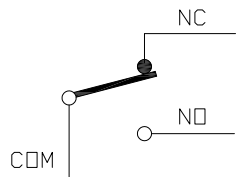
| | |
|---------------------------|------------------|
| 2.1 Mechanical Life | 1,000,000 CYCLES |
| 2.2 Electrical Life | 10,000 CYCLES |
| 2.3 Insulation Resistance | ≥100MΩ DC500V |
| 2.4 Withstand Voltage | AC1500V 1 minute |
| 2.5 Soldering Technic | Hand Soldering |
| 2.6 Operating Temper | -25°C ~ +85°C |
| 2.7 Ambient Humidity Used | <85%RH |

MODEL CODE

VM 3- 05 X-XXS-U56

1 2 3 4 5 6 7

- 1.Series : VM
- 2.Current Rating : 3=3A 125/250VAC
- 3.Actuator : 00=Non-lever 01-99=Lever
- 4.Termination : see chart (N/K)
(2=SPST-NO / 16=SPST-NC)
- 5.Operating Force : see chart
- 6.Spring Material:S=SUS304
- 7.Contact type: U56=3Amps Contact



CIRCUIT DIAGRAM

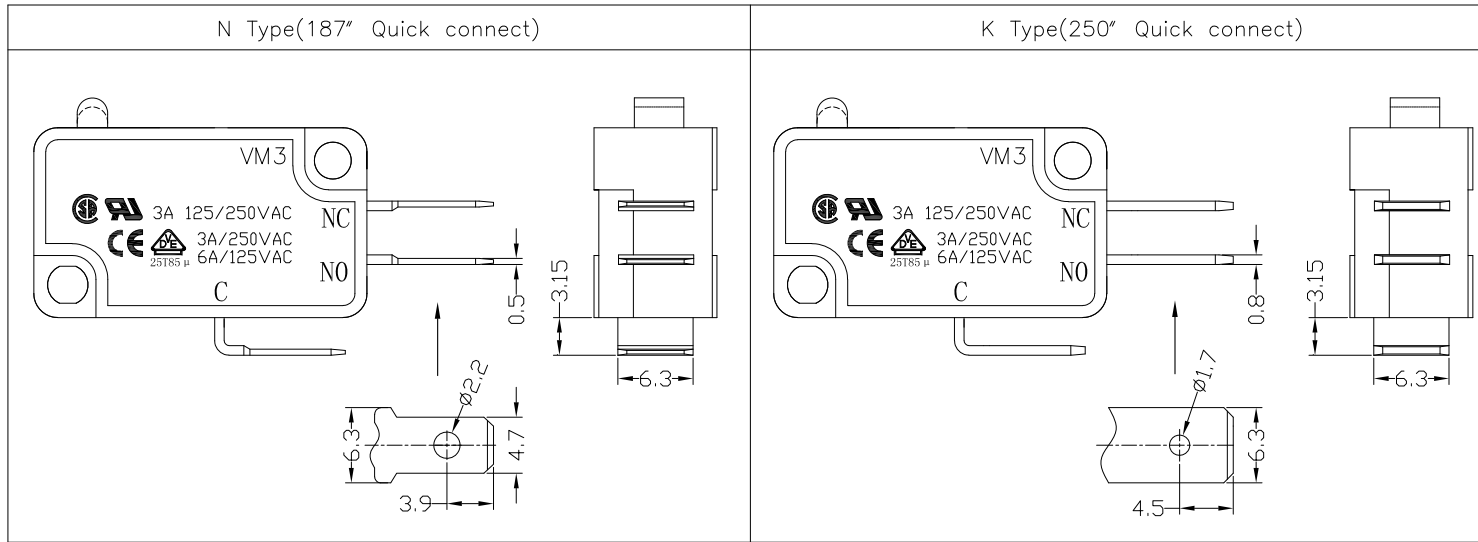
| | | | | | |
|---|----------|------------------------------------|------------------|-------|------|
| Tolerance:±0.2 | UNITS mm | 雅安科技有限公司 ACCURATE INNOTECH INC. | | | |
| | MAT'L | TITLE: | PART NO.: | | |
| | SEE NOTE | MICRO SWITCH VM3 SERIES | VM3-05N-XXS-U56 | | |
| | FINISH | DR: <i>Ricky</i> 2017/5/10 | DWG NO.: | | |
| | SEE NOTE | CHKD: <i>Ricky</i> 2017/5/10 | ATD-05X-XXS-U56 | | |
| THESE DRAWINGS AND SPECIFICATIONS ARE THE PROPERTY OF ACCURATE INNOTECH INC AND SHALL NOT BE REPRODUCED, COPIED OR USED IN ANY MANNER WITHOUT THE PRIOR WRITTEN CONSENT OF ACCURATE INNOTECH INC. | Q'TY | APPD: | SCALE | SHEET | REV. |
| | | | 1:1 | 1/2 | A |
| | | | CUSTOMER DRAWING | | |



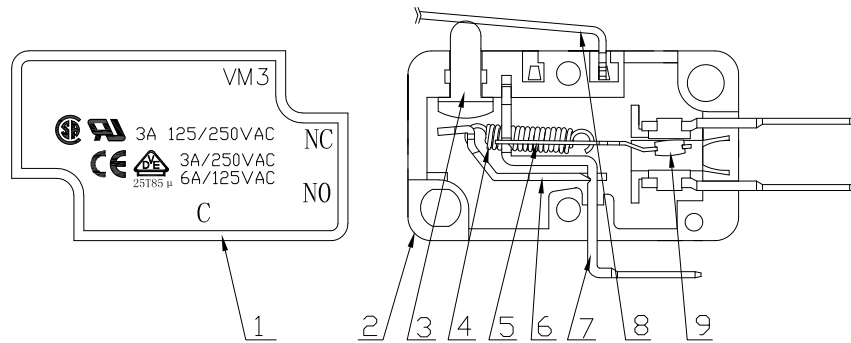
RoHS
Compliant
2002/95/EC

| REV. | ECN. | NO. | APPD. |
|------|------|-----|-------|
| | | | |
| | | | |
| | | | |

Terminal Type



Structure chart



Material list

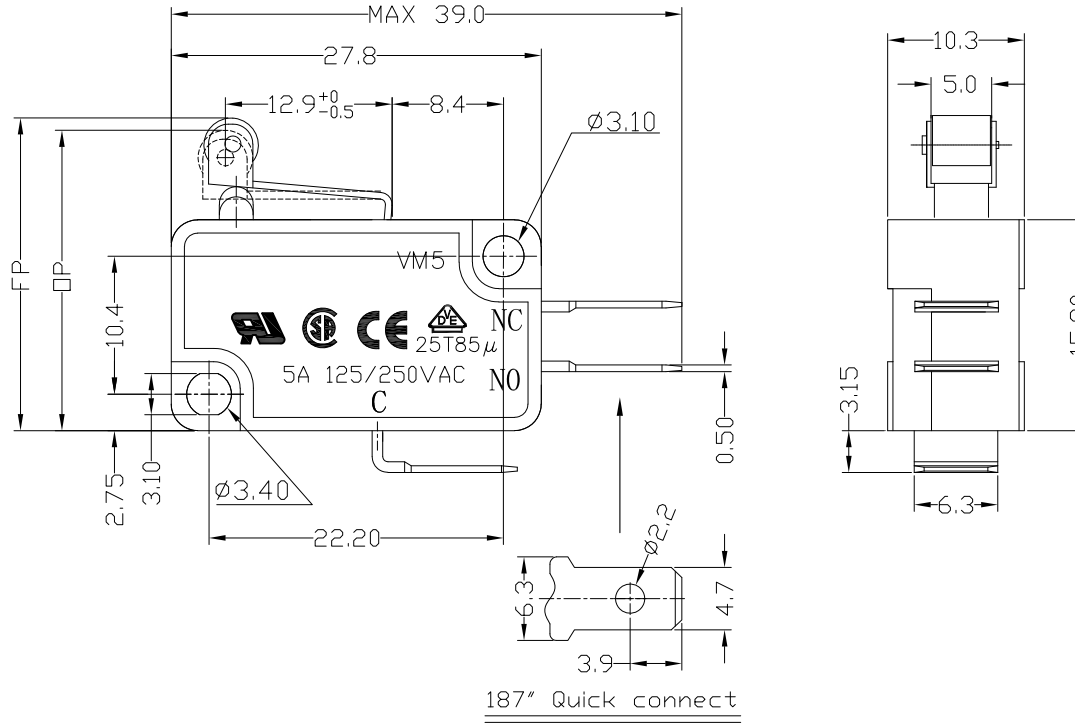
| NO. | PARTS | MATERIAL | Q'TY | FINISHING | Tolerance:±0.2 | UNITS | 雅安科技有限公司 ACCURATE INNOTECH INC. | | | | |
|-----|---------------|--------------|------|-----------|----------------|-----------------------|---|---------------------|---------------------------|--------------------------|----------|
| 9 | Contact | Silver alloy | 3 | | mm | SEE NOTE | TITLE: MICRO SWITCH VM3 SERIES | | PART NO.: VM3-05X-XXS-U56 | | |
| 8 | Lever | SUS301 | 1 | | | | SEE NOTE | DR: Ricky 2017/5/10 | | DWG NO.: ATD-05X-XXS-U56 | |
| 7 | Terminal | C2680 | 3 | | SEE NOTE | CHKD: Ricky 2017/5/10 | | SCALE | SHEET | REV. | CUSTOMER |
| 6 | Fixed Rod | C2680 | 1 | | | SEE NOTE | APPD: | | 1:1 | 2/2 | A |
| 5 | Change Plate | C5210 | 1 | | SEE NOTE | | THESE DRAWINGS AND SPECIFICATIONS ARE THE PROPERTY OF ACCURATE INNOTECH INC AND SHALL NOT BE REPRODUCED, COPIED OR USED IN ANY MANNER WITHOUT THE PRIOR WRITTEN CONSENT OF ACCURATE INNOTECH INC. | | | | |
| 4 | Spring | SUS304 | 1 | | | SEE NOTE | | | | | |
| 3 | Button | PBT | 1 | Gray | SEE NOTE | | | | | | |
| 2 | Lower Housing | PBT | 1 | Black | | SEE NOTE | | | | | |
| 1 | Upper Housing | PBT | 1 | Black | SEE NOTE | | | | | | |
| NO. | PARTS | MATERIAL | Q'TY | FINISHING | | | | | | | |



RoHS
Compliant
2002/95/EC

| REV. | ECN. | NO. | APPD. |
|------|------|-----|-------|
| | | | |
| | | | |
| | | | |

DIMENSIONS



1.Functional spec

| | |
|------------------------|--------------------------------|
| 1.1 Rated Voltage(AC) | 125/250VAC |
| 1.2 Rated Current(AC) | 5A |
| 1.3 Contact Resistance | ≤100mΩ(Initial value) |
| 1.4 Operating Force | 110±30gf 160±40gf 250±50gf |
| 1.5 Bounce Time | |
| 1.6 Free Position | 24.5±1.0mm |
| 1.7 Operating Position | 23.5±1.0mm |
| 1.8 Position Travel | |
| 1.9 Return Force | |

2.Reliable Rating

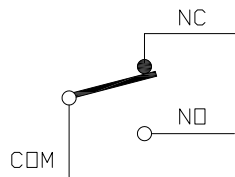
| | |
|---------------------------|------------------|
| 2.1 Mechanical Life | 1,000,000 CYCLES |
| 2.2 Electrical Life | 10,000 CYCLES |
| 2.3 Insulation Resistance | ≥100MΩ DC500V |
| 2.4 Withstand Voltage | AC1500V 1 minute |
| 2.5 Soldering Technic | Hand Soldering |
| 2.6 Operating Temper | -25°C ~ +85°C |
| 2.7 Ambient Humidity Used | <85%RH |

MODEL CODE

VM 5- 05 X-XXS-U10

1 2 3 4 5 6 7

- 1.Series : VM
- 2.Current Rating : 5=5A 125/250VAC
- 3.Actuator : 00=Non-lever 01-99=Lever
- 4.Termination : see chart (N/K)
(2=SPST-NO / 16=SPST-NC)
- 5.Operating Force : see chart
- 6.Spring Material:S=SUS304
- 7.Contact type: U10=5Amps Contact



CIRCUIT DIAGRAM

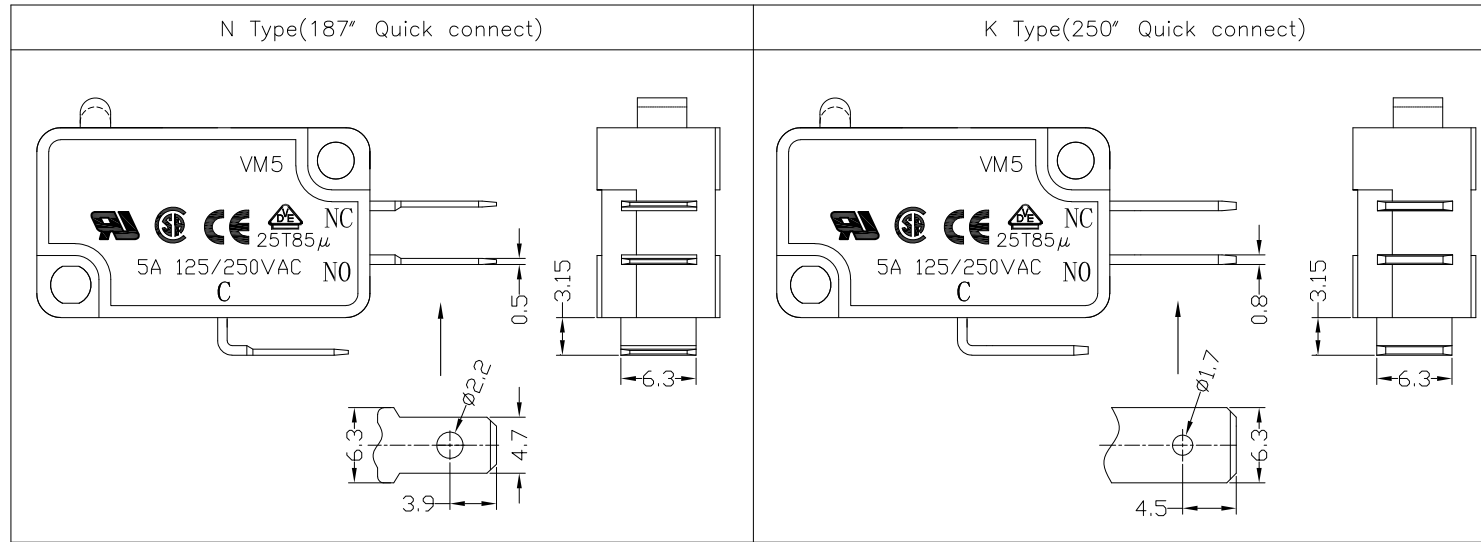
| Tolerance:±0.2 | | UNITS | 雅安科技有限公司 ACCURATE INNOTECH INC. | | | |
|---|--|----------|------------------------------------|--|-----------------|------------------|
| | | mm | TITLE: | | PART NO.: | |
| | | MAT'L | MICRO SWITCH VM5 SERIES | | VM5-05N-XXS-U10 | |
| | | SEE NOTE | DR: <i>Ricky</i> 2017/5/11 | | DWG NO.: | |
| | | FINISH | CHKD: <i>Ricky</i> 2017/5/11 | | ATD-05X-XXS-U10 | |
| | | SEE NOTE | APPD: | | SCALE | SHEET |
| | | Q'TY | | | 1:1 | 1/2 |
| THESE DRAWINGS AND SPECIFICATIONS ARE THE PROPERTY OF ACCURATE INNOTECH INC AND SHALL NOT BE REPRODUCED, COPIED OR USED IN ANY MANNER WITHOUT THE PRIOR WRITTEN CONSENT OF ACCURATE INNOTECH INC. | | | | | REV. | CUSTOMER DRAWING |
| | | | | | A | |



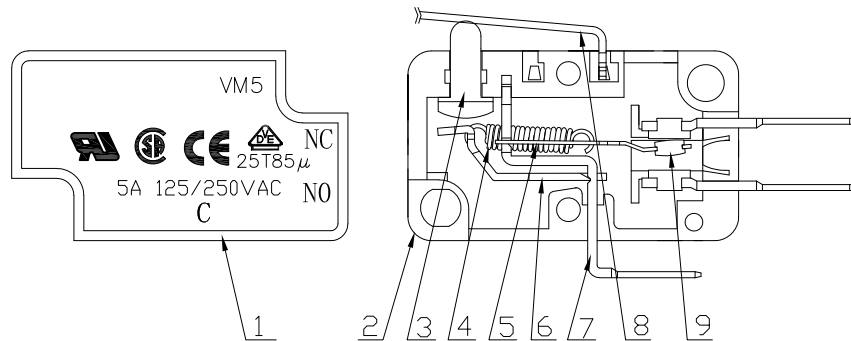
RoHS
Compliant
2002/95/EC

| | | | |
|------|------|-----|-------|
| REV. | ECN. | NO. | APPD. |
| | | | |
| | | | |
| | | | |

Terminal Type



Structure chart



Material list

| NO. | PARTS | MATERIAL | Q'TY | FINISHING | Tolerance:±0.2 | UNITS | 雅安科技有限公司 ACCURATE INNOTECH INC. | | | | |
|-----|---------------|--------------|------|-----------|--|----------|------------------------------------|-----------------|-------|---------|----------|
| 9 | Contact | Silver alloy | 3 | | mm | SEE NOTE | TITLE: | PART NO.: | | | |
| 8 | Lever | SUS301 | 1 | | | | MICRO SWITCH VM5 SERIES | VM5-05X-XXS-U10 | | | |
| 7 | Terminal | C2680 | 3 | | SEE NOTE | FINISH | DR: | DWG NO.: | | | |
| 6 | Fixed Rod | C2680 | 1 | | | SEE NOTE | CHKD: | ATD-05X-XXS-U10 | | | |
| 5 | Change Plate | C5210 | 1 | | Q'TY | SEE NOTE | APPD: | SCALE | SHEET | REV. | CUSTOMER |
| 4 | Spring | SUS304 | 1 | | | | 1:1 | 2/2 | A | DRAWING | |
| 3 | Button | PBT | 1 | Gray | <small>THESE DRAWINGS AND SPECIFICATIONS ARE THE PROPERTY OF ACCURATE INNOTECH INC AND SHALL NOT BE REPRODUCED, COPIED OR USED IN ANY MANNER WITHOUT THE PRIOR WRITTEN CONSENT OF ACCURATE INNOTECH INC.</small> | | | | | | |
| 2 | Lower Housing | PBT | 1 | Black | | | | | | | |
| 1 | Upper Housing | PBT | 1 | Black | | | | | | | |